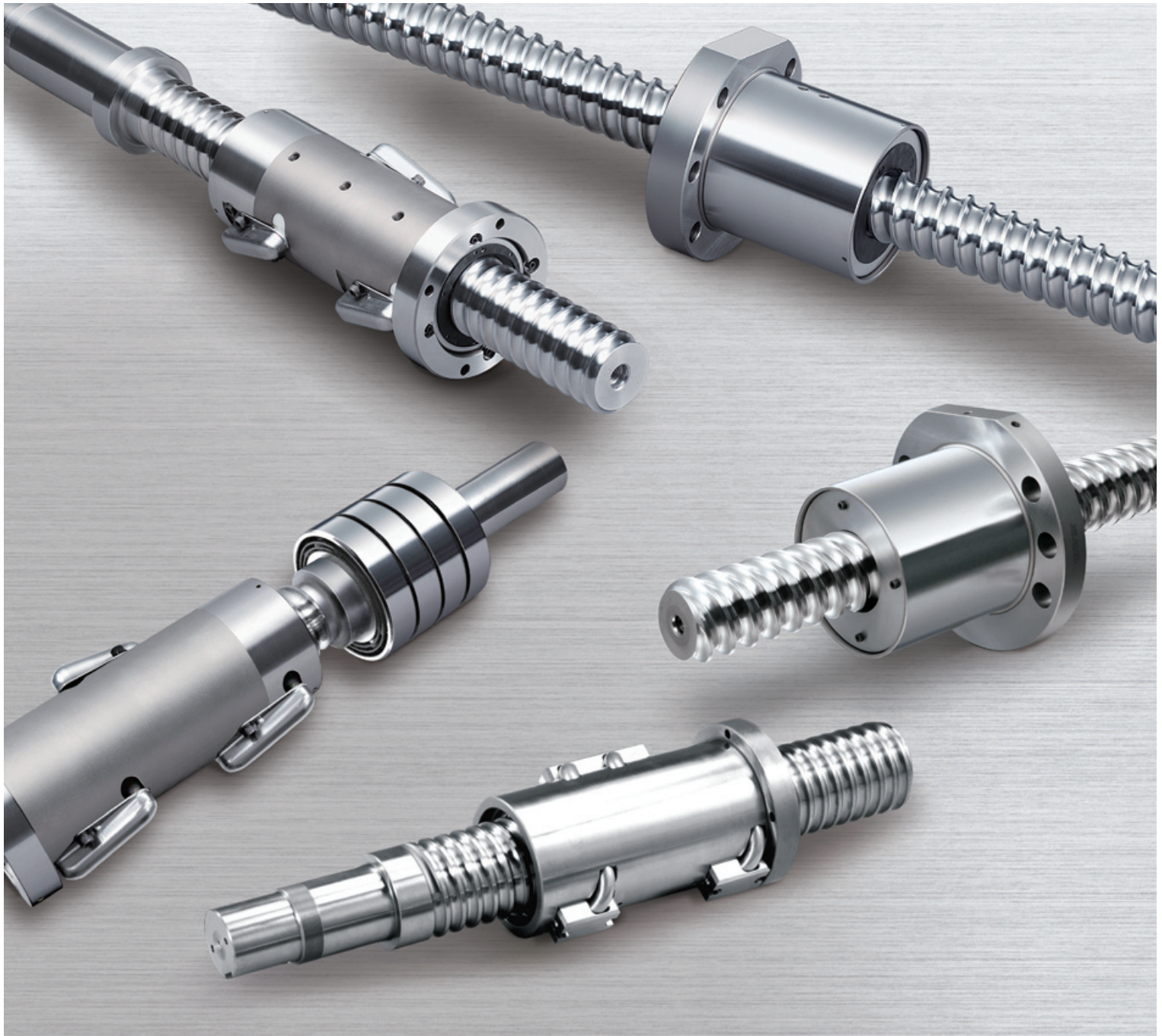


NSK Ball Screws for High-Load Drive

NSKTAC Series of Ball Screw Support Bearings
for High-Load Applications
NSK Roller Guide RA Series

We have developed easy-to-use ball screws for high-load applications and now offer a wide variety of products suited for high-load drives.

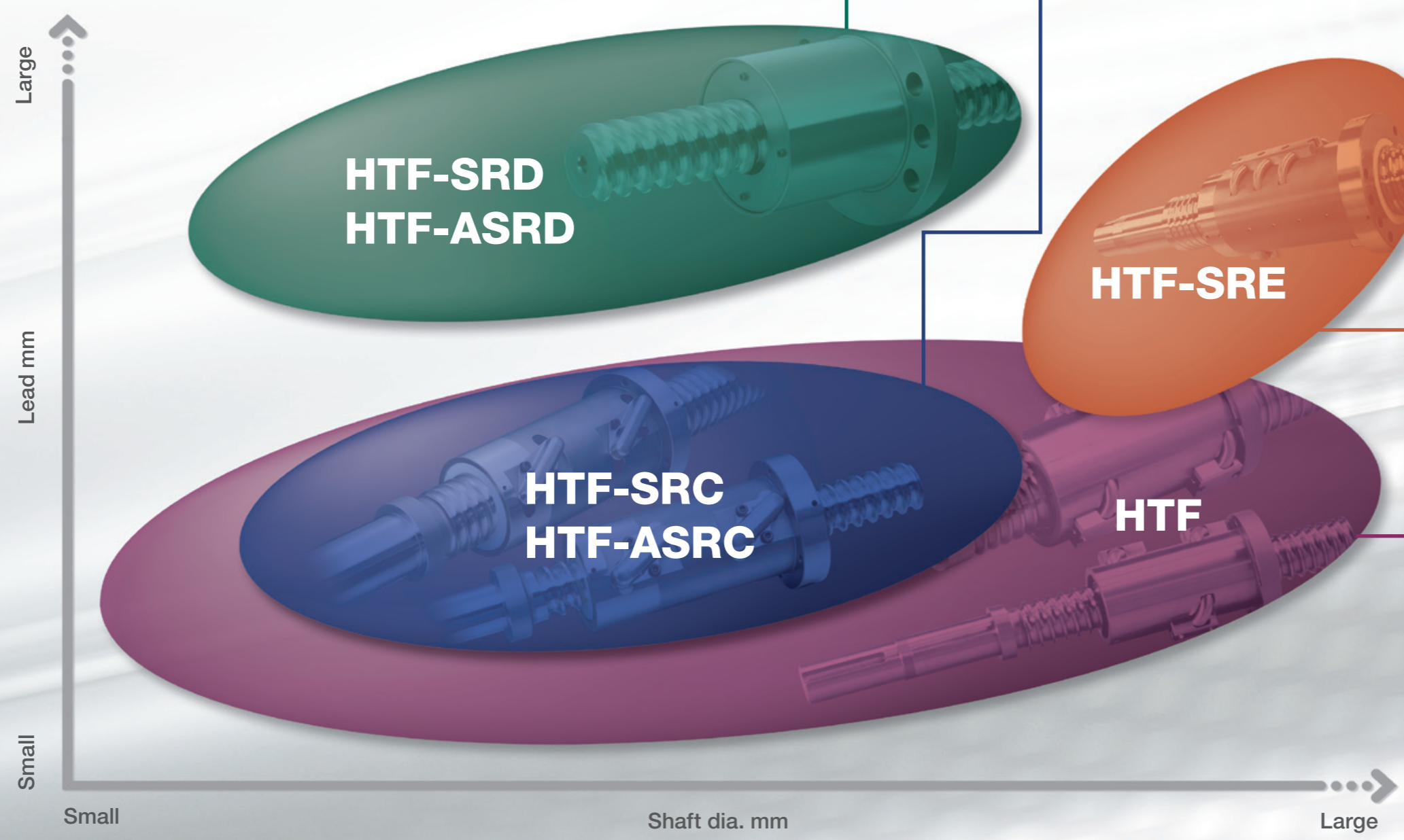
These ball screws enable the electric servo drive to operate under the most severe conditions.



Lineup of NSK Ball Screws for High-Load Drive

Best suited design for high-load applications

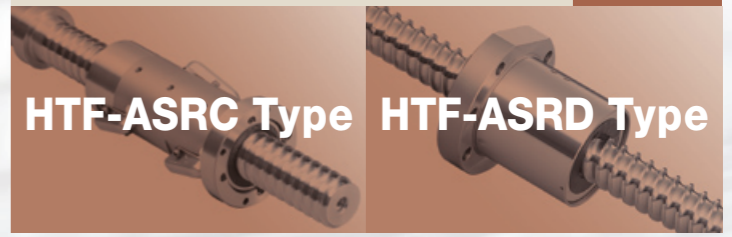
The best arrangement of the ball recirculation circuits and use of the largest possible ball have significantly contributed to the enhancement of high-load bearing characteristics. (Refer to pages 6 and 7 for details.)



HTF-SRC Type
 Enables a maximum speed of 930 mm/s with fine screw leads.
 P13
 P16

HTF-SRD Type
 Enables a maximum speed of 1 600 mm/s with coarse screw leads.
 P17
 P20

Equipped with Grease Retaining A1 Seals
 Optimized design of A1 seal enables superior grease retaining performance.
 P21
 P26



HTF-SRE Type
 To speed up large machinery.
 P27
 P28

HTF Type
 Screw diameters of 32 to 200 mm
 Leads of 10 to 32 mm
 Provides a wide range of screw diameter and lead combinations.
 P29
 P38

Peripheral products for high-load drive ball screws
NSKTAC series of ball screw support bearings
 P39
 P42

NSK roller guide RA series
 P43
 P44

As well as long shafts, a variety of shaft end configurations are available for high torque transmission.

- Examples: ■ Involute spline (JIS B 1603) ■ Straight-sided spline (JIS B 1601) ■ Keyways

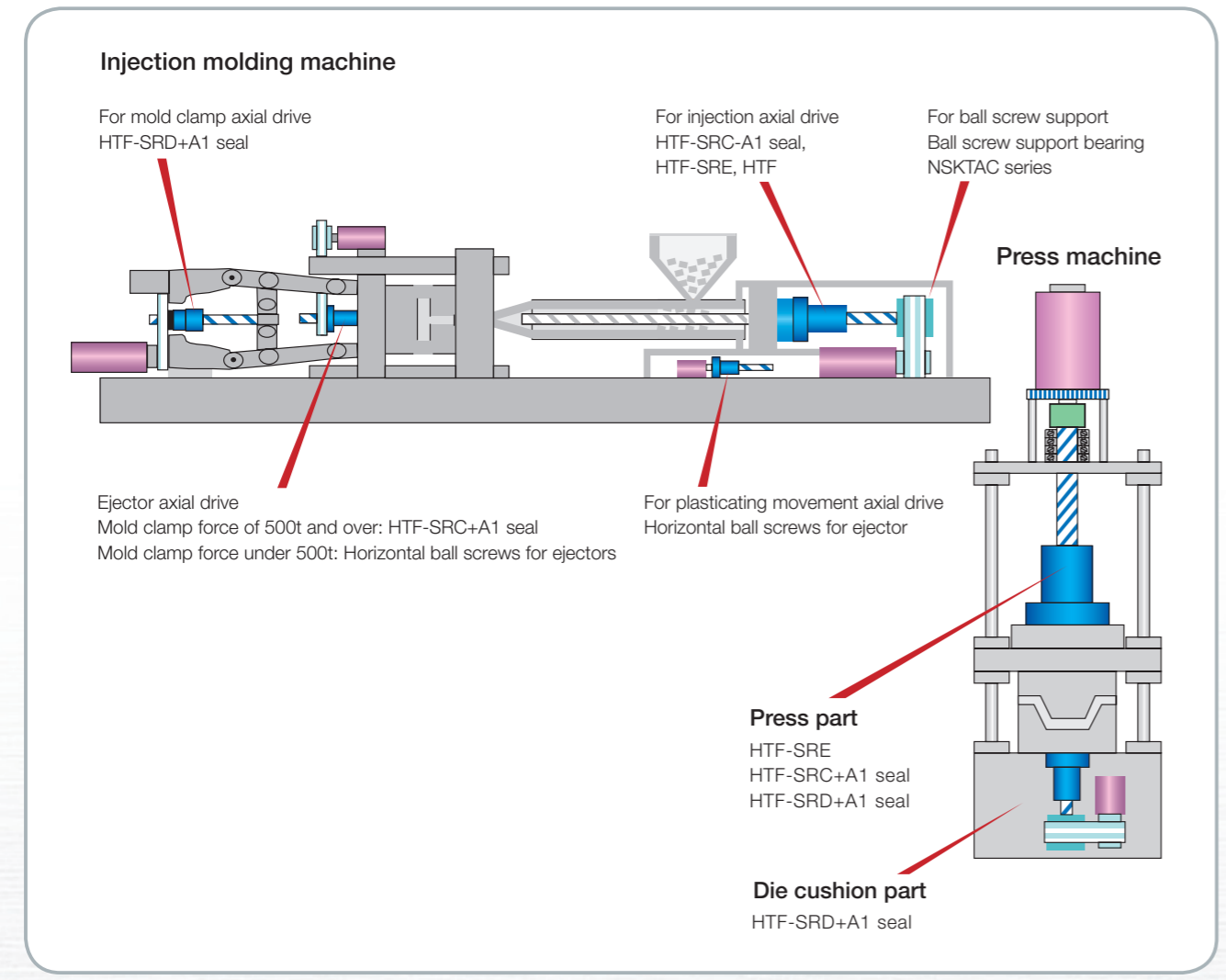
※ There are high load capacity options available for the above ball screws for applications where a large load is applied with relatively short strokes.

Technical Description

1 Examples of Application

Application	Injection molding machine	Die cast machine	Servo press	Press brake	Punch press	Powder press	Bending machine	Press fitting machine	Elevating machine
HTF Type	○	○	○	○	○	○	○	○	○
SRC Type	◎	○	◎	◎	○	◎	◎	◎	○
SRD Type	◎	◎			○				○
SRE Type	○	◎	◎	○	○	○	○		○

※There are high load capacity options available for applications with large loads with relatively short strokes, such as press fitting machine. Please consult NSK.



2 Features

NSK high-load drive ball screws have maximized the ball diameter and increased the number of valid load balls for a design that can withstand a high load. They have achieved a high reliability through many different technologies including even load distribution. Technology for high-speed feeding and preserving the work environment have also been added to accommodate the needs of various devices requiring a large load and high reliability, such as hydraulic cylinder replacement.

- High reliability** In addition to high load design, all series are equipped with ball retaining piece S1 for preventing ball competition and helping even nut load distribution, and other original NSK technology to meet a high load bearing requirements.
- High-speed feeding** Feeding speed has been increased to improve efficiency of the machine and injection. Maximum speeds are 930 mm/s with a fine lead and 1,600 mm/s with a coarse lead.
- High environmental properties** With sophisticated seal technology, grease splattering has been reduced and less topping up is needed in response to ever increasing concerns for environment.

The chart below shows technologies used for each series to achieve high reliability, high-speed feeding and environmental consideration.

Ball screws for high load drive		Line up					
		HTF-SRC	HTF-SRD	HTF-A-SRC	HTF-A-SRD	HTF-SRE	HTF
Technology used							
High reliability P5~	Design for high load	○	○	○	○	○	○
	Ball retaining piece S1	○	○	○	○	○	○
	Even load distribution [1] (radial load balance)	○	○	○	○	○	○
	Even load distribution [2] (in consideration of axial nut material expansion and contraction)	○	○	○	○	○	○
	High load capacity option (optional)	○	○	○	○	○	○
High-speed feeding P8~	High d/n circulation route design	○	○	○	○	○	
	Ball groove shape for high speed	○	○	○	○	○	○
	Coarse lead setting		○		○		
High environmental properties P9~	Grease retaining A1 seals			○	○		
	Low noise	○	○	○	○	○	

Technical Description

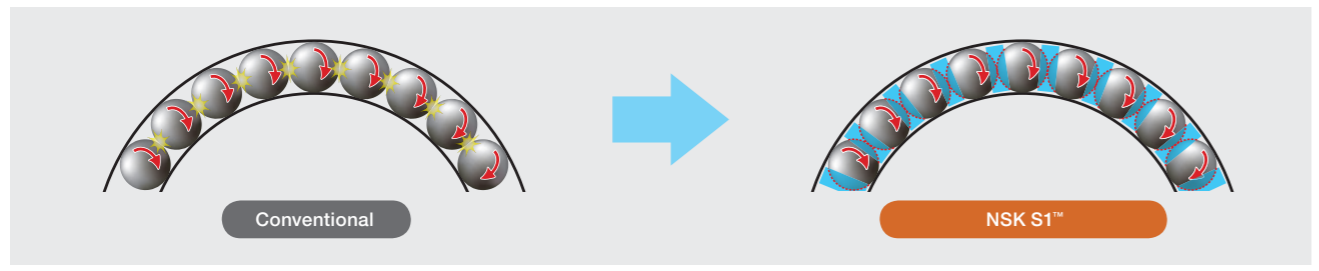
2-1 High reliability

1 Design for high load

NSK ball screws for high load drive have increased load capacity by maximizing the diameter of balls in relation to the lead, increasing the number of valid load balls and optimizing the shape of ball groove for a design that can withstand high load.

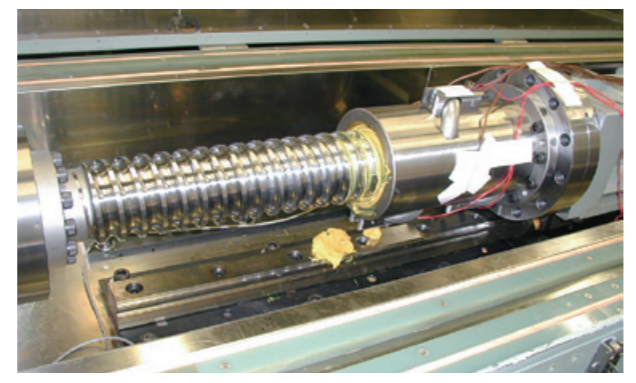
2 Resin Retaining Piece NSK S1™

A moment load caused by misalignment of a ball screw can hinder smooth motion of the balls, thus causing ball jamming in the ball recirculation circuits and adversely affecting the durability of the ball screw. By incorporating the resin retaining piece NSK S1™ between balls, NSK has greatly improved the durability of ball screws under a moment load.



Durability test with continuous high load

Test model: HTF10025-7.5
All load balls (without S1), and with S1
Test conditions:
Load condition: Forward 200 kN, Back 20 kN
Stroke: 70 mm, Cycle time: 9 sec
Lubrication: Grease
Temperature: Normal



Mounting error: Max. 0.03 mm 0.3 mm 0.3 mm

Outer surface of balls

All load balls: very good (after 100 000 cycles) All load balls: damaged (after 10 000 cycles) With S1: very good (after 100 000 cycles)

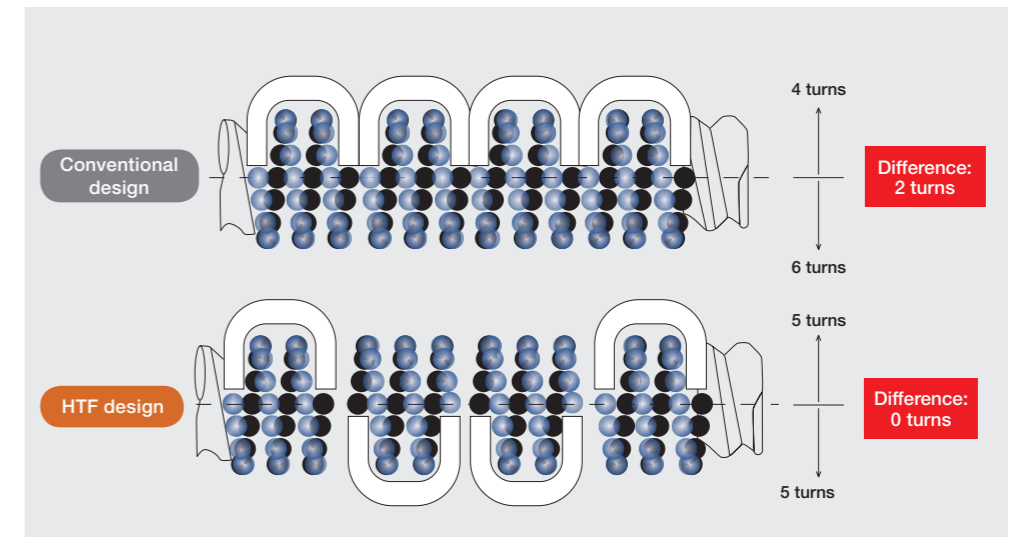
3 Technology to evenly distribute nut load [Patent pending]

With ball screws that carry large loads, it is important to distribute the load evenly to each ball. NSK high-load drive ball screws have improved reliability with the load distribution technology described below.

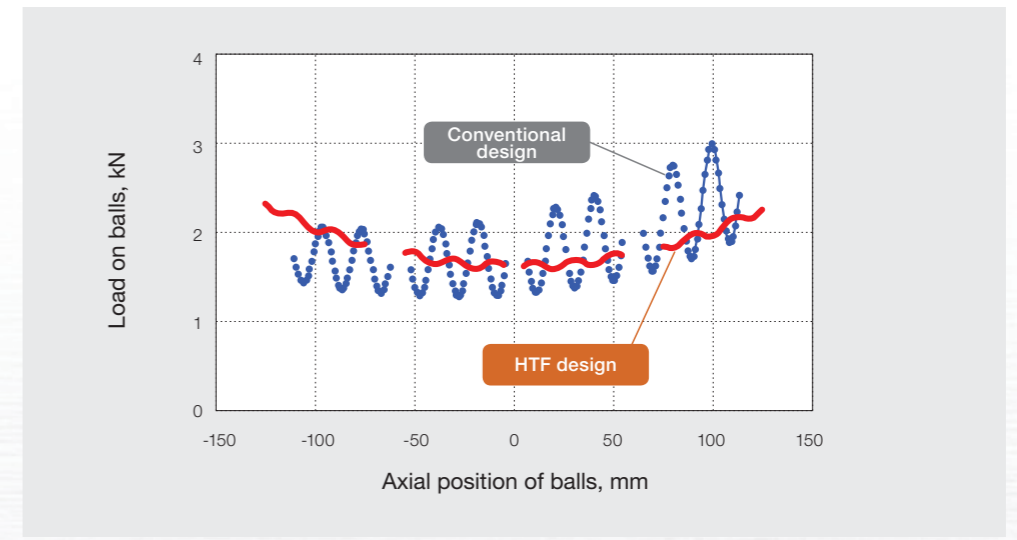
Theory of even load distribution 1 (applies to SRC and return tube types)

Ball return tubes are located 180 degrees apart for equal load distribution to the balls.

Minimum difference between upper and lower balls



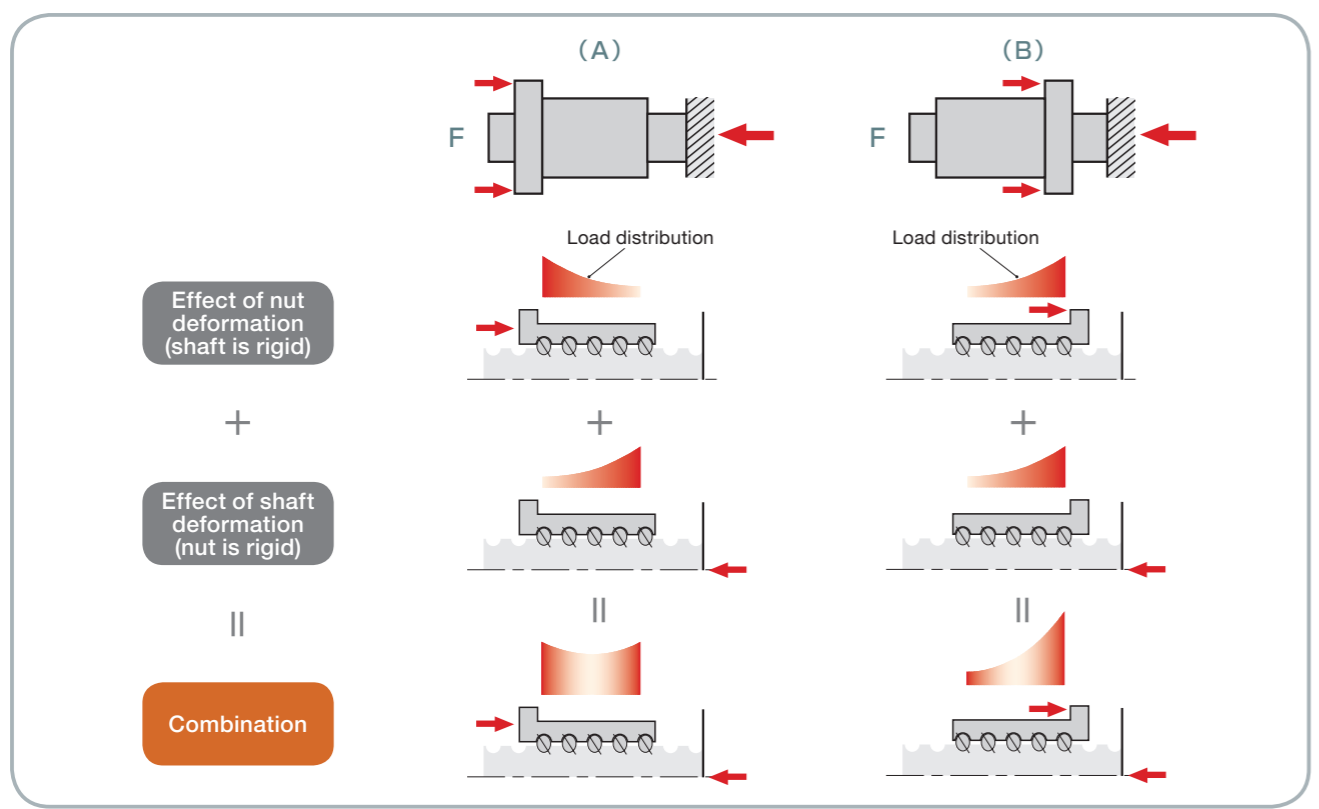
Load distribution to balls



Technical Description

Even load distribution [2]

With ball screws that carry a large load, the deformation of components (axis, nut) cannot be disregarded. Based on the load points adapted for screws and nuts in the illustration below (A) (recommended installation), the influence of contraction and expansion in the screw shaft and nut axial direction is offset and inner nut load is evenly distributed. To make these measures even more effective, axis and the cross section of nut are placed as close to each other as possible in HTF-SRC and HTF models.



4 Options for high load capacity

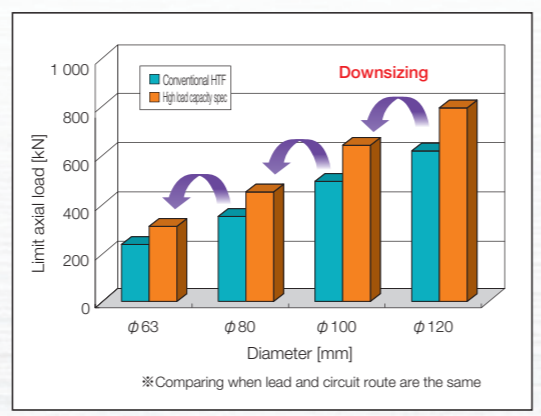
Improving load bearing performance considerably

Load limits for high-load drive ball screws are
(1) Allowable axial load (load limit beyond which stress on ball contact surface has extremely adverse effect on fatigue life)
(2) Limit axial load (limit load of ball and axial groove contact surface reaching groove shoulder).

Through inner spec optimization, limit axial load can be up to 1.3 times greater than conventional high-load drive ball screws. These are suitable for applications where a large load is applied at relatively short strokes, such as sheet metal presses, press brakes, servo presses, mold presses, etc. Choices are made in consideration of balance between enhanced load bearing and service life. Please consult NSK.

A wide range of variations

Ball screws with this option are compatible with all types of high-load drive ball screws, such as HTF-SRC, HTF-SRD and grease-retaining A1 series in terms of size.

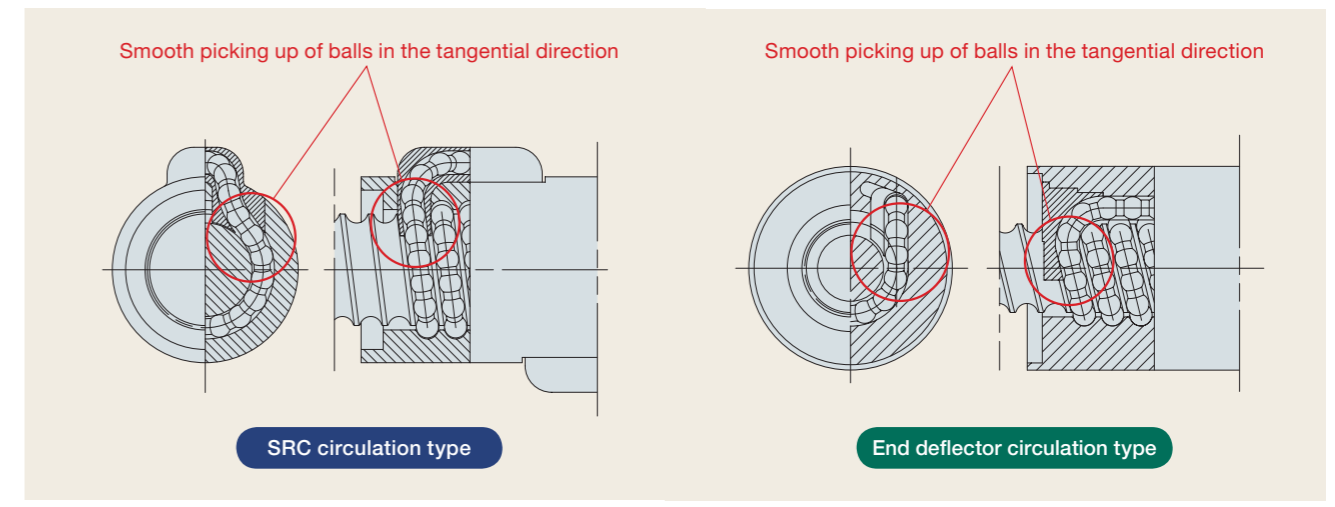


2-2 High-speed feeding

1 High d/n circulation route design

[Patent pending]

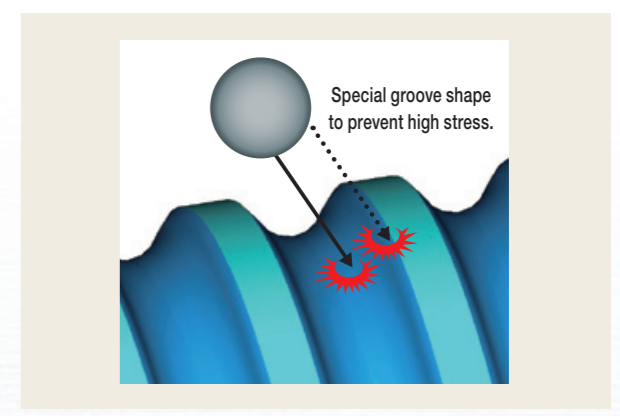
By smoothly picking up balls in the direction tangent to the screw groove, the impact of the balls colliding on other components will be reduced. d/n values (shaft diameter x number of rotations) for speed of circulation components is more than twice as fast as the conventional tube recirculation system.



2 Ball groove shape for high speed

[Patent pending]

While rotating at a high speed, the ball collides with the axis at a high speed. With optimal-design ball grooves, pressure on the ball groove surface is minimized during ball collision, preventing shaft damage.



3 Coarse lead setting

To achieve higher feeding, coarse lead setting is available. (for example, shaft diameter 50 mm for a lead of 40 mm). This, along with high d/n values, enables a high speed feeding.

Technical Description

2-3 High environmental properties

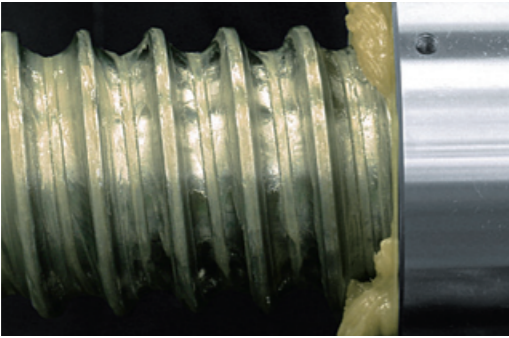
1 Grease retaining A1 seal

[Patent pending]

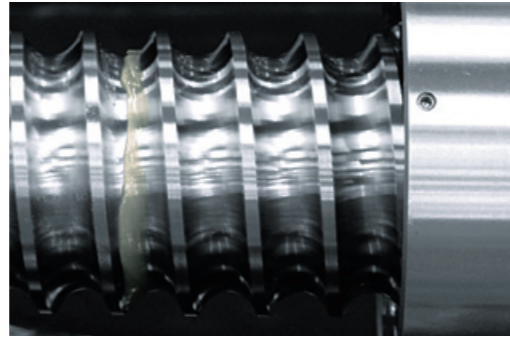
Greatly improved grease retaining performance

Thanks to the special ball groove profile of the screw shaft together with the grease retaining A1 seal, the grease retaining characteristics have greatly improved compared with those of existing plastic seals.

Grease leakage at initial cycle operation
(Test piece: HTF-ASRC6316-10.5 with high-load grease with an extreme pressure additive [worked penetration: 300])



With conventional labyrinth seals



With grease retaining A1 seals


Suppresses grease scattering and preserves a clean environment

Use of the A1 seal greatly suppresses grease scattering, showing a significant improvement over the use of existing plastic seals. The A1 seal simplifies the design of your cover, helping to preserve a clean and healthy environment.


Grease splash after 100-cycle operation

Test conditions	Test piece	Speed	Stroke	Lubrication
	HTF-ASRC6316-10.5	1 600 min ⁻¹	500 mm	High-load grease with an extreme pressure additive

After initial run of 100 cycles at 200 min⁻¹, grease was wiped off from shaft OD, then photos were taken at the speed of 1600 min⁻¹.



With existing plastic seals
(stroke center area)

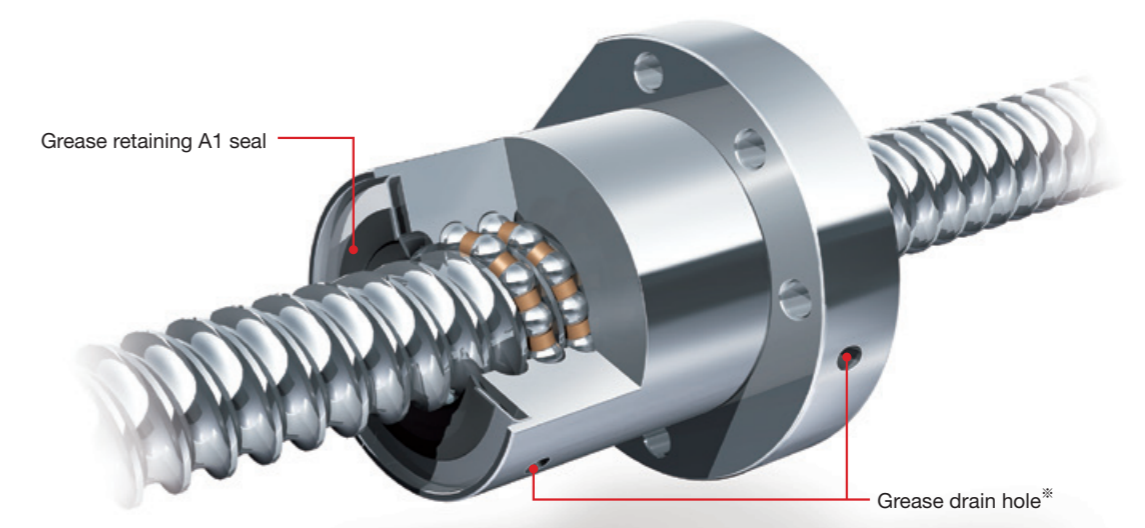


With grease retaining A1 seals
(stroke center area)

Low friction torque and low-heat generation

The increase of dynamic torque caused by the A1 seal is very small (30 to 50 Ncm in case of ball screw with 80-mm diameter). This level of increase has practically no impact on the driving torque. The practical temperature rise caused by the A1 seal is merely 2 to 3 deg C higher than that of existing plastic seals.

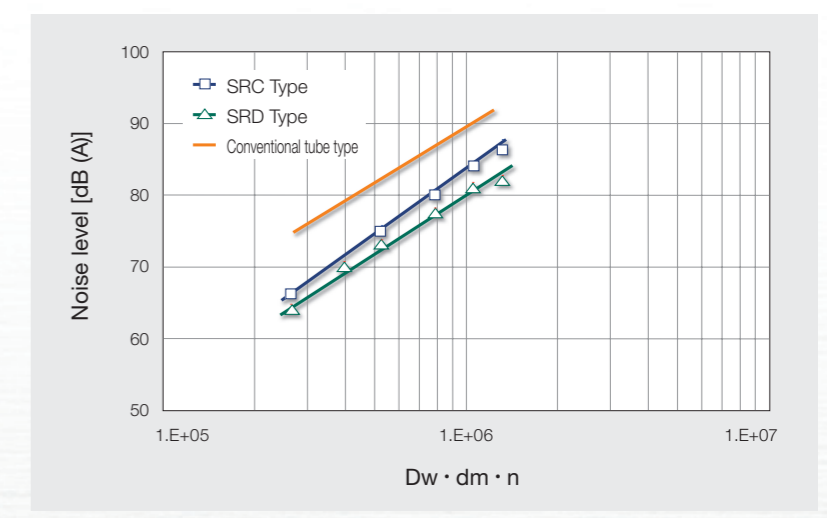
Construction of ball screw equipped with grease retaining A1 seal



※By opening the discharge holes for running-in after grease supplementation, etc., excess grease is discharged. By removing excess grease, grease splatter in high speed operation is reduced.

2 Low noise

By smoothly picking up balls in the screw shaft tangent direction, impact of ball collision on other components can be reduced. Compared to conventional tube type, the noise is reduced by over 6dB (A).



Technical Description

3 In use

1 Life of Ball Screw

Computational life, which is estimated by calculation, is the flaking life caused by rolling contact fatigue. The fatigue life of a ball screw can be estimated by basic dynamic load rating (Ca).

Basic dynamic load rating (Ca)

Basic dynamic load rating (Ca) is the axial load that allows 90% of a group of the same ball screws to rotate one million times (10^6 rev) under the same conditions without flaking occurring due to rolling contact fatigue. Basic dynamic load ratings (Ca) are shown in the dimension tables.

How to calculate fatigue life

The fatigue life of a ball screw is obtained by the following formula.

$$L = \left(\frac{Ca}{Fa \cdot fw} \right)^3 \cdot 10^6$$

L : Rated fatigue life (rev)

Lt : Life in hours (h)

Ls : Life by running distance (km)

Ca : Basic dynamic load rating (N)

Fa : Axial load (N)

n : Rotational speed (min^{-1})

l : Lead (mm)

fw : Load factor*

$$Lt = \frac{L}{60n}$$

$$Ls = \frac{L \cdot l}{10^6}$$

*The load factor is decided by operating conditions.
Consult NSK when impact and/or vibrations occur during the operation.

2 Conditions for attaching ball screws

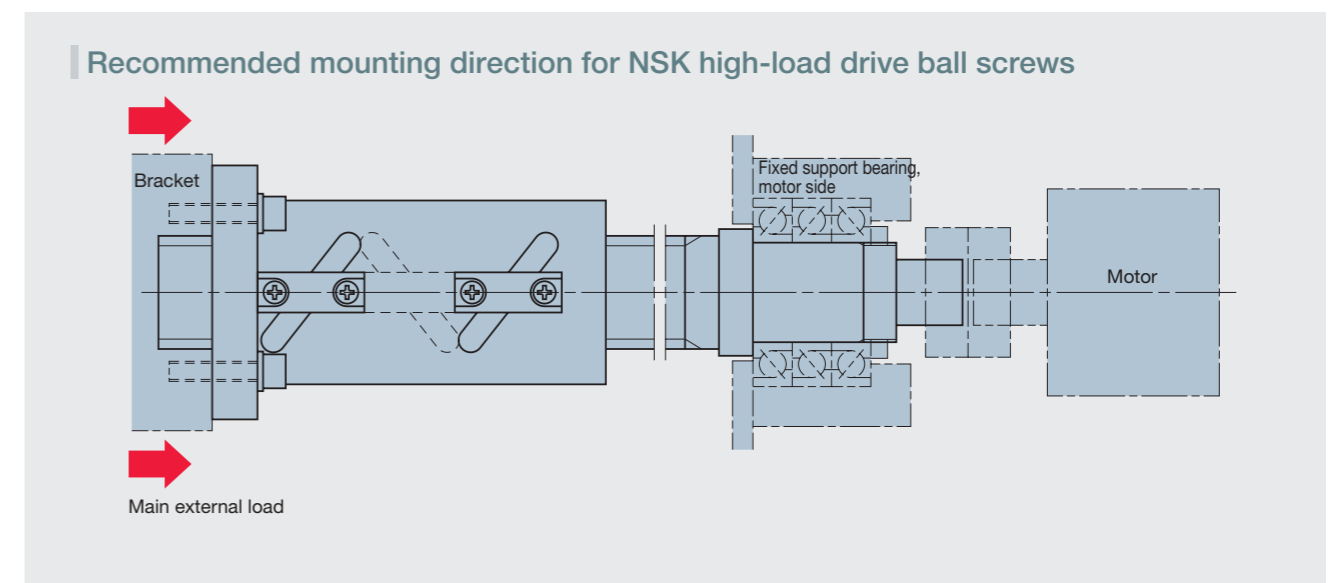
With design aimed at high loads and even inner nut load distribution, NSK high-load drive ball screws have achieved high-load performance. (See page 7)

To make the most of these features, installation according to the illustration below is recommended.

The bolt holes of the installation surface in this catalog have been set on an assumption that load is received on the surface of the nut flange.

If there is drag load on the bolt for mounting ball screw, the strength of bolts should be carefully considered.

Also make sure to center the ball screw with guides.



3 Cautions regarding lubrication

When using ball screws, lubricant needs to be replenished.

As time passes, lubricant and its functions deteriorate.

Lubricant inside of nuts is gradually discharged by stroke motions. Also, operating environments results in impurities in lubricant. Therefore, lubricant needs to be supplemented regularly.

[If high load is applied, use of load withstanding grease containing extreme pressure additives is recommended.]

4 Operating temperature

As the temperature of ball screws rises during use, the strength of the oil film of the lubricant decreases and there is a risk of inadequate lubrication. Be sure to use them at temperatures below 70 deg C (temperature at nut diameter). Contact NSK to ask about environments and use conditions that can easily become too hot.

Other

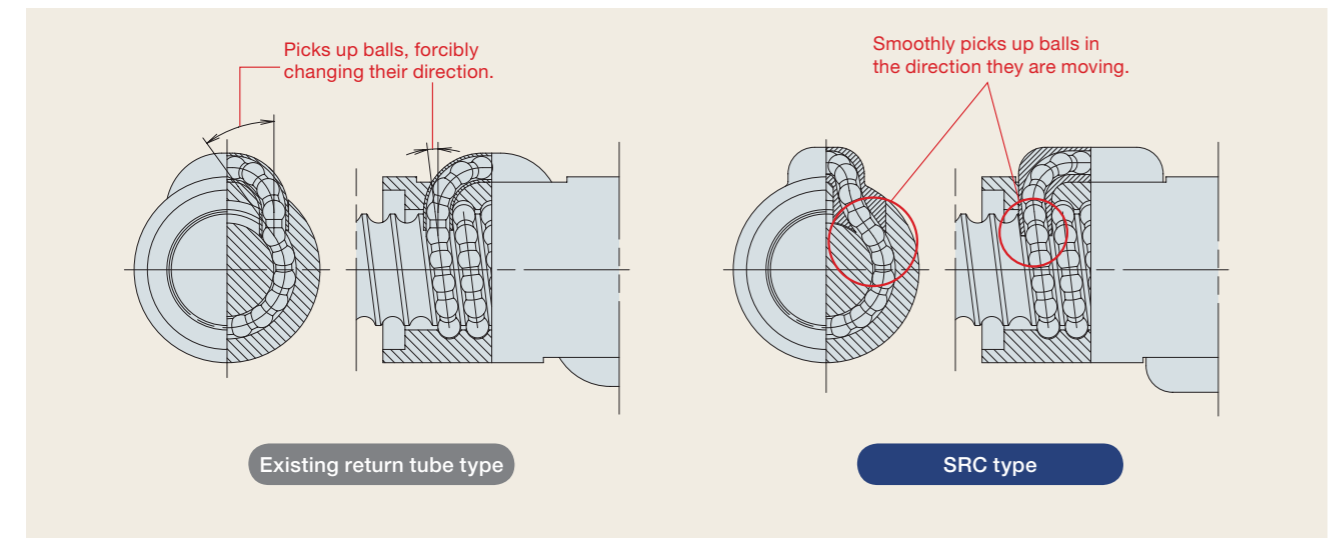
For other information on general technology of ball screws, see the section of ball screw technical explanations in the precision product catalog (CAT. No. 3162).

HTF-SRC Type

1 Specifications

Recirculation system: Equipped with SRC (Smooth Return Coupling)

By smoothly picking up balls in the direction tangent to the screw groove, feeding speed is twice as fast as the conventional tube recirculation system while the noise is half or less.



Allowable d·n value and feed speed

Lead 14 and 16 mm: 160 000 or less
 Lead 20 and 25 mm: 140 000 or less
 d·n: Shaft diameter d (mm) × Rotational speed n (min⁻¹)
 ☆Allowable d·n value for HTF-SRC5020: 160 000

Allowable feed speed of combinations of shaft diameter and lead Unit [mm/s]

Lead (mm) \ Shaft dia. (mm)	14	16	20	25
50	750	860	1 060	—
63	—	680	740	930
80	—	540	590	730
100	—	—	470	590
120	—	—	390	490

High-speed performance two times greater than existing products

Noise reduced by 6 dB (A) or more compared with return tube type

Accuracy grade

Ct7 of JIS B 1192 (1997) is applicable as the standard accuracy grade.

Axial play

Standard axial play: 0.020 mm or less, or 0.050 mm or less

Optional specs

- High load capacity option to increase limit axial load. See page 7 for details.
- Consult NSK if the number of circuits is to be changed for a higher load capacity or circulation routes are to be placed on a single side.

2 Design Precautions

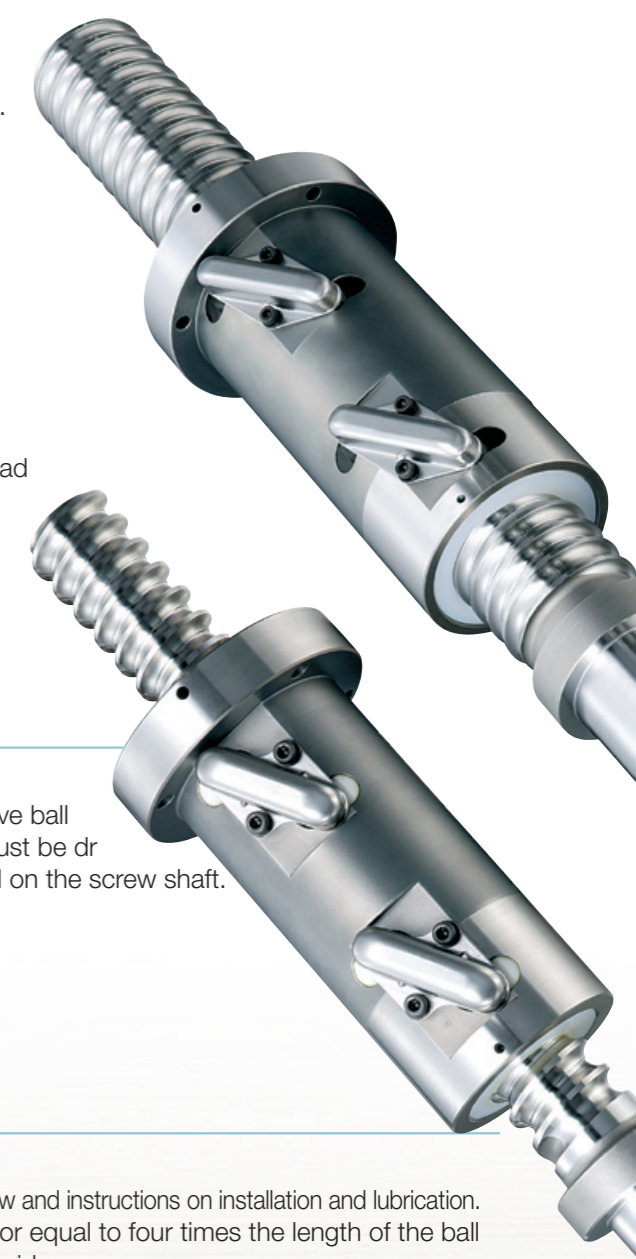
- 1) When designing the shaft ends, one end of the screw shaft must have ball groove cut through to the shaft end or the ball groove root diameter must be d_r or less (see dimension chart), otherwise the ball nut cannot be installed on the screw shaft.
- 2) Please consult NSK with your special design requirements.

3 Selection of Ball Screw

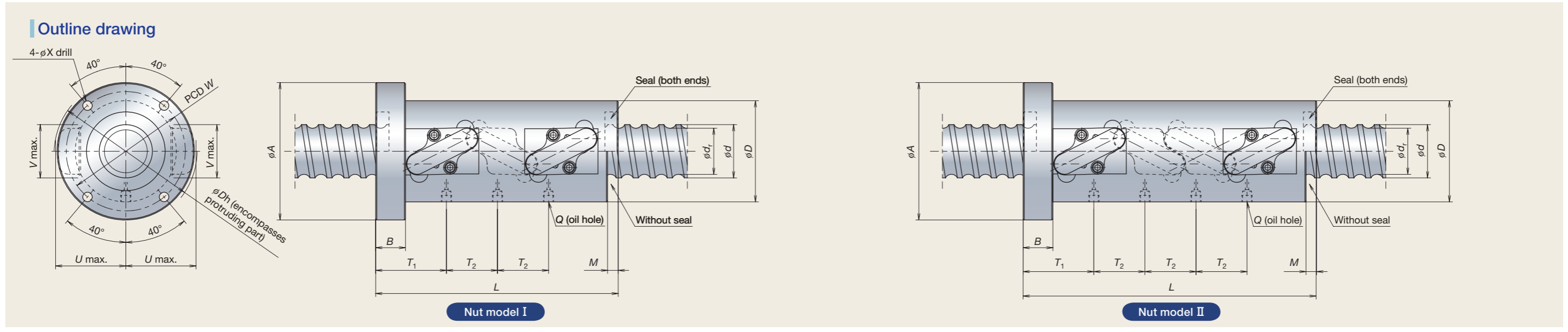
- Please refer to pages 11 and 12 for details on the operating life of the ball screw and instructions on installation and lubrication.
- Please consult NSK in the case of a short stroke operation less than or equal to four times the length of the ball screw lead.capacity or circulation routes are to be placed on a single side.

4 Operating Temperature

- Use temperature: 70 deg C maximum (temperature at nut diameter). Use at or below 60 deg C is recommended.



HTF-SRC Type

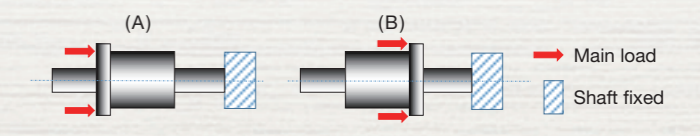


HTF-SRC Type Specifications

Unit [mm]

Model No.	Lead ℓ	Shaft dia. d	Root dia. d_r	Effective ball turns Turns \times Circuits	Nut model	Basic load rating (kN)		Ball nut dimensions													Allowable axial load (kN)	
						Dynamic C_a	Static C_{0a}	D	A	B	L	M	W	X	U	V	Dh	Q	T_1	T_2	Mounting ☆ See below	
																					[A] Recommended	[B]
HTF-SRC5014-7.5	14	50	41.6	2.5x3	I	264	623	80	114	28	202	10	97	9	54.5	46	111	M6x1	69	42	98.5	75.7
HTF-SRC5016-7.5	16	50	39	2.5x3	I	383	818	95	129	28	228	10	112	9	66	50	134	Rc1/8	74.5	48	124.8	106.2
HTF-SRC6316-7.5	16	63	52	2.5x3	I	429	1 050	105	139	28	228	10	122	9	72.5	50	148	Rc1/8	74.5	48	174.2	139.9
HTF-SRC6316-10	16	63	52	2.5x4	II	549	1 410	105	139	28	276	10	122	9	72.5	50	148	Rc1/8	74.5	48	202.3	152.4
HTF-SRC6316-10.5	16	63	52	3.5x3	I	562	1 450	105	139	28	276	10	122	9	72.5	50	148	Rc1/8	74.5	64	210.6	157.9
HTF-SRC6316-14	16	63	52	3.5x4	II	720	1 930	105	139	28	340	10	122	9	72.5	50	148	Rc1/8	74.5	64	233.8	165.5
HTF-SRC8016-10.5	16	80	69	3.5x3	I	627	1 870	120	154	32	278	10	137	9	80	60	165	Rc1/8	78.5	64	305.7	209.4
HTF-SRC8016-14	16	80	69	3.5x4	II	802	2 490	120	154	32	342	10	137	9	80	60	165	Rc1/8	78.5	64	351.2	220.9
HTF-SRC5020-7.5	20	50	39	2.5x3	I	383	818	95	129	28	268	10	112	9	66	50	135	Rc1/8	83.5	60	117.7	98.5
HTF-SRC6320-7.5	20	63	49	2.5x3	I	572	1 280	117	157	32	279	12	137	11	80	62	163	Rc1/8	90	60	202.2	170
HTF-SRC6320-10	20	63	49	2.5x4	II	732	1 710	117	157	32	339	12	137	11	80	62	163	Rc1/8	90	60	227.7	183.2
HTF-SRC8020-10.5	20	80	66	3.5x3	I	838	2 300	130	170	32	339	12	150	11	88	64	180	Rc1/8	90	80	350	255.5
HTF-SRC10020-10.5	20	100	86	3.5x3	I	936	2 910	145	185	32	339	12	165	11	97	78	199	Rc1/8	90	80	497.1	325.6
HTF-SRC10020-14	20	100	86	3.5x4	II	1 200	3 890	145	185	32	419	12	165	11	97	78	199	Rc1/8	90	80	572.1	341.8
HTF-SRC12020-7.5	20	120	106	2.5x3	I	776	2 550	173	213	40	287	12	193	11	109.5	88	229	Rc1/8	98	60	481.6	365
HTF-SRC12020-10	20	120	106	2.5x4	II	994	3 400	173	213	40	347	12	193	11	109.5	88	229	Rc1/8	98	60	589.3	404.8
HTF-SRC6325-10.5	25	63	49	3.5x3	I	750	1 770	117	157	32	405	12	137	11	81.5	61	167	Rc1/8	101.75	100	220.4	174.1
HTF-SRC8025-7.5	25	80	63	2.5x3	I	790	1 960	145	185	40	347	17	165	11	99.5	73	202	Rc1/8	111.75	75	319.3	268.3
HTF-SRC10025-10.5	25	100	83	3.5x3	I	1 200	3 430	159	199	40	422	17	179	11	108	79	220	Rc1/8	111.75	100	539.8	384.5
HTF-SRC10025-14	25	100	83	3.5x4	II	1 540	4 580	159	199	40	522	17	179	11	108	79	220	Rc1/8	111.75	100	603.3	402.2
HTF-SRC12025-10.5	25	120	103	3.5x3	I	1 300	4 200	173	213	40	421	17	193	11	116	92	238	Rc1/8	111.25	100	713.4	466.6
HTF-SRC12025-14	25	120	103	3.5x4	II	1 660	5 600	173	213	40	521	17	193	11	116	92	238	Rc1/8	111.25	100	815.4	488.3

- Remarks: 1. The ball nut length with no seals is shorter by M than that of a ball nut with seals.
 2. Please consult NSK if load exceeds the allowable axial load (F_a max.).
 3. The right hand screw is the standard. For specifications on left hand screws, contact NSK.
 4. The allowable axial load is a value in the case of S clearance. If the clearance amount and mounting conditions differ, please note that the allowable axial load is also different.

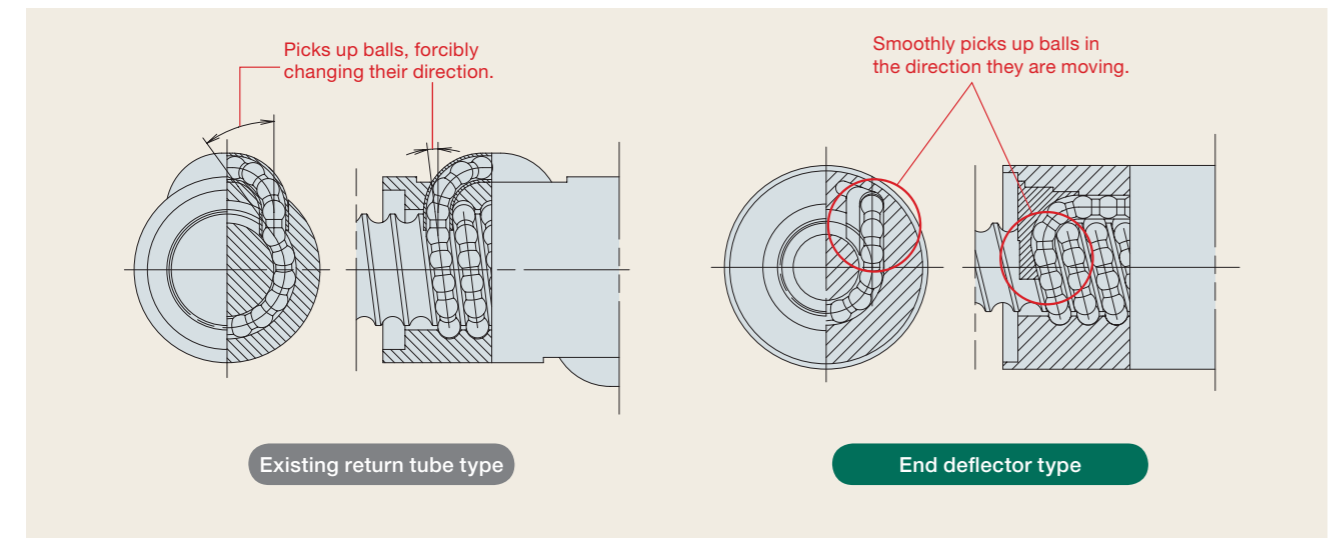


HTF-SRD Type

1 Specifications

Recirculation system: Equipped with end deflector

By adopting a highly-regarded end deflector recirculation system, feeding speed of 3 000 mm/s has been achieved. There is no runout of recirculation components and a good rotation balance is ensured.



Allowable d·n value and feed speed

d·n: 120 000 or less
 d·n: Shaft diameter d (mm) × Rotational speed (min⁻¹)

Allowable feed speed of combinations of shaft diameter and lead Unit [mm/s]

Lead (mm) \ Shaft dia. (mm)	32	40	50	60	70	80	100	120
50	—	1 600	2 000	—	—	—	—	—
63	1 000	1 250	—	1 900	—	—	—	—
80	—	—	1 250	—	—	2 000	—	3 000
100	—	—	—	1 200	—	—	2 000	—
120	—	—	—	—	1 160	—	—	2 000

High-lead specification optimal for high speed

Noise reduced by 6 dB (A) or more compared with return tube type

Accuracy grade

Ct7 of JIS B 1192 (1997) is applicable as the standard accuracy grade.

Axial play

Standard axial play: 0.020 mm or less, or 0.050 mm or less

Seal

The ball nut length is shortened by the use of thin seals.

Option

High load capacity option to increase limit axial load. See page 7 for details. Please consult NSK if you are considering nut rotation.



2 Design Precautions

- 1) When designing the shaft ends, one end of the screw shaft must have ball groove cut through to the shaft end or the ball groove root diameter must be dr or less (see dimension chart), otherwise the ball nut cannot be installed on the screw shaft.
- 2) Please consult NSK with your special design requirements.

3 Selection of Ball Screw

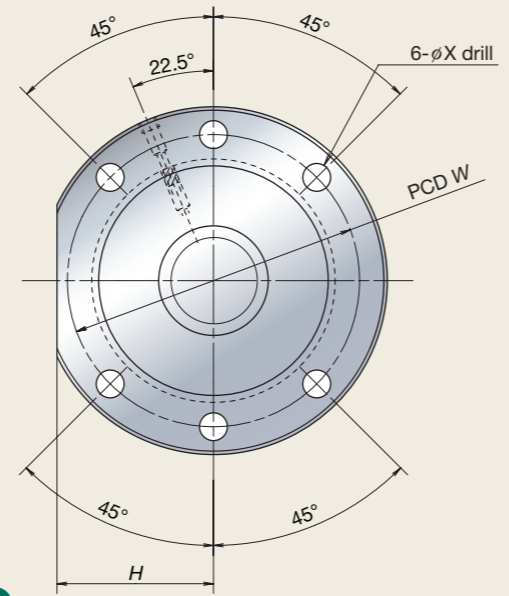
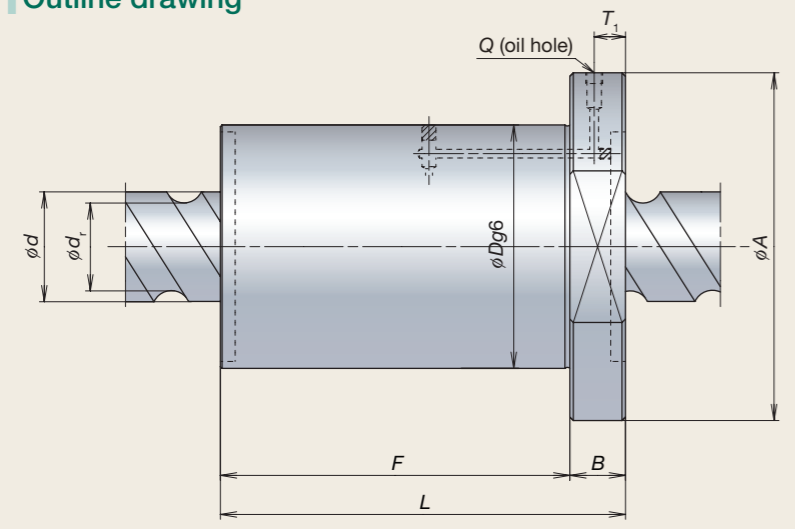
- Please refer to pages 11 and 12 for details on the operating life of the ball screw and instructions on installation and lubrication.
- Please consult NSK in the case of a short stroke operation less than or equal to four times the length of the ball screw lead.capacity or circulation routes are to be placed on a single side.

4 Operating Temperature

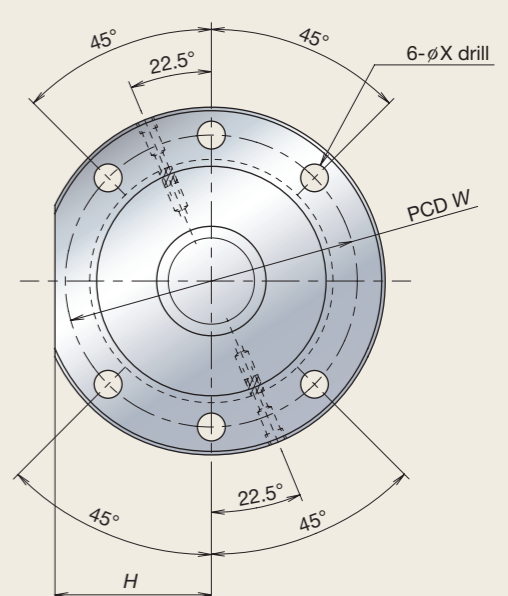
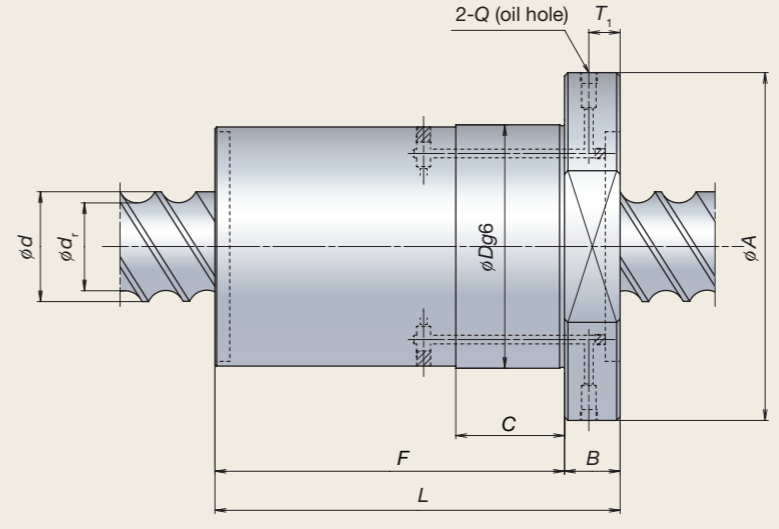
- Use temperature: 70 deg C maximum (temperature at nut diameter). Use at or below 60 deg C is recommended.

HTF-SRD Type

Outline drawing



Nut model I



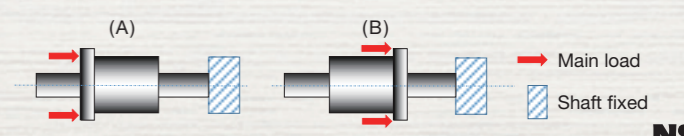
Nut model II

HTF-SRD Type Specifications

Unit [mm]

Model No.	Lead ℓ	Shaft dia. d	Root dia. d_r	Nut model	Basic load rating (kN)		Ball nut dimensions											Allowable axial load (kN)	
					Dynamic C_a	Static C_{0a}	D	A	B	F	C	L	H	W	X	Q	T_1	Mounting ☆ See below	
																		[A] Recommended	[B]
HTF-SRD6332-4E	32	63	49	I	292	590	140	190	32	144	—	176	85	165	14	Rc1/8	22	109.7	105.9
HTF-SRD5040-6E	40	50	39	II	243	491	115	165	28	131	131	159	72.5	140	14	Rc1/8	18	101	94.9
HTF-SRD5040-8E	40	50	39	II	319	679	115	165	28	171	171	199	72.5	140	14	Rc1/8	18	119.7	109.6
HTF-SRD6340-6E	40	63	49	II	363	768	140	200	32	131	131	163	90	170	18	Rc1/8	22	170	160.3
HTF-SRD6340-8E	40	63	49	II	476	1 060	140	200	32	171	171	203	90	170	18	Rc1/8	22	205.2	188.2
HTF-SRD5050-6E	50	50	39	II	243	491	115	165	28	159	159	187	72.5	140	14	Rc1/8	18	98.1	91.5
HTF-SRD5050-8E	50	50	39	II	319	679	115	165	28	209	209	237	72.5	140	14	Rc1/8	18	113.6	103.1
HTF-SRD8050-6E	50	80	63	II	502	1 180	175	250	40	154	154	194	110	210	22	Rc1/8	30	265.3	249.7
HTF-SRD8050-8E	50	80	63	II	658	1 630	175	250	40	204	204	244	110	210	22	Rc1/8	30	322.3	294.5
HTF-SRD6360-6E	60	63	49	II	363	768	140	200	32	188	188	220	90	170	18	Rc1/8	22	159.9	148.3
HTF-SRD6360-8E	60	63	49	II	476	1 060	140	200	32	248	248	280	90	170	18	Rc1/8	22	186	167.5
HTF-SRD10060-6E	60	100	83	II	583	1 490	195	270	40	185	185	225	122	235	22	Rc1/8	30	339.7	313.2
HTF-SRD10060-8E	60	100	83	II	765	2 060	195	270	40	245	245	285	122	235	22	Rc1/8	30	415.8	368.3
HTF-SRD12070-6E	70	120	103	II	630	1 810	210	285	50	210	210	260	130	250	22	Rc1/8	40	416.5	373
HTF-SRD12070-8E	70	120	103	II	826	2 520	210	285	50	280	280	330	130	250	22	Rc1/8	40	519.4	440
HTF-SRD8080-6E	80	80	63	II	502	1 180	175	250	40	244	244	284	110	210	22	Rc1/8	30	245.6	226.6
HTF-SRD8080-8E	80	80	63	II	658	1 630	175	250	40	324	100	364	110	210	22	Rc1/8	30	286.5	256.1
HTF-SRD100100-6E	100	100	83	II	583	1 490	195	270	40	301	100	341	122	235	22	Rc1/8	30	318.2	284.5
HTF-SRD100100-8E	100	100	83	II	765	2 060	195	270	40	401	100	441	122	235	22	Rc1/8	30	371.8	318.4
HTF-SRD80120-4E	120	80	63	II	337	751	175	250	40	243	243	283	110	210	22	Rc1/8	30	171.7	162.5
HTF-SRD120120-6E	120	120	103	II	630	1 810	210	285	50	356	100	406	130	250	22	Rc1/8	40	389	333.4
HTF-SRD120120-8E	120	120	103	II	826	2 520	210	285	50	476	100	526	130	250	22	Rc1/8	40	463.4	373.9

- Remarks: 1. Please consult NSK if load exceeds the allowable axial load (Fa max.).
 2. The right hand screw is the standard. For specifications on left hand screws, contact NSK.
 3. The allowable axial load is a value in the case of S clearance. If the clearance amount and mounting conditions differ, please note that the allowable axial load is also different.
 4. When F and C dimensions are the same, the diameter of whole area of F dimension is $\phi Dg6$.



HTF-ASRC Type and HTF-ASRD Type Equipped with Grease Retaining A1 Seal

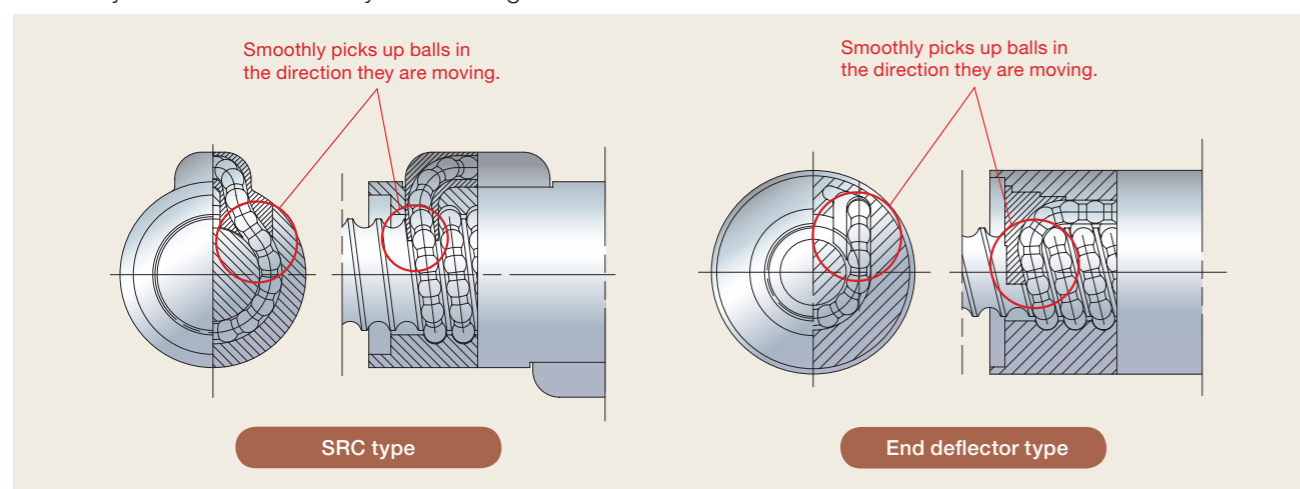
1 Specifications

Equipped with grease retaining A1 seal

The optimum design of the A1 seal (patent applied for and pending) allows superior grease retaining performance.

Recirculation system: Equipped with SRC or end deflector

These ball screws are used with the SRC or the end deflector recirculation system, which pick up balls smoothly in the direction they are moving.



Allowable d·n value and feed speed

Lead 16 mm: 160 000 or less

Lead 20 and 25 mm: 140 000 or less

Lead 32, 40 and 50 mm: 120 000 or less

d·n: Shaft diameter d (mm) × Rotational speed (min⁻¹)

Allowable feed speed of combinations of shaft diameter and lead

Unit [mm/s]

Shaft dia. (mm)	Lead (mm)	HTF-ASRC Type			HTF-ASRD Type			
		16	20	25	32	40	50	60
50	16	860	—	—	—	1 600	—	—
63	20	680	740	930	1 000	1 250	—	—
80	25	540	590	730	—	—	1 250	—
100	32	—	470	590	—	—	—	1 200
120	40	—	390	490	—	—	—	—

Accuracy grade

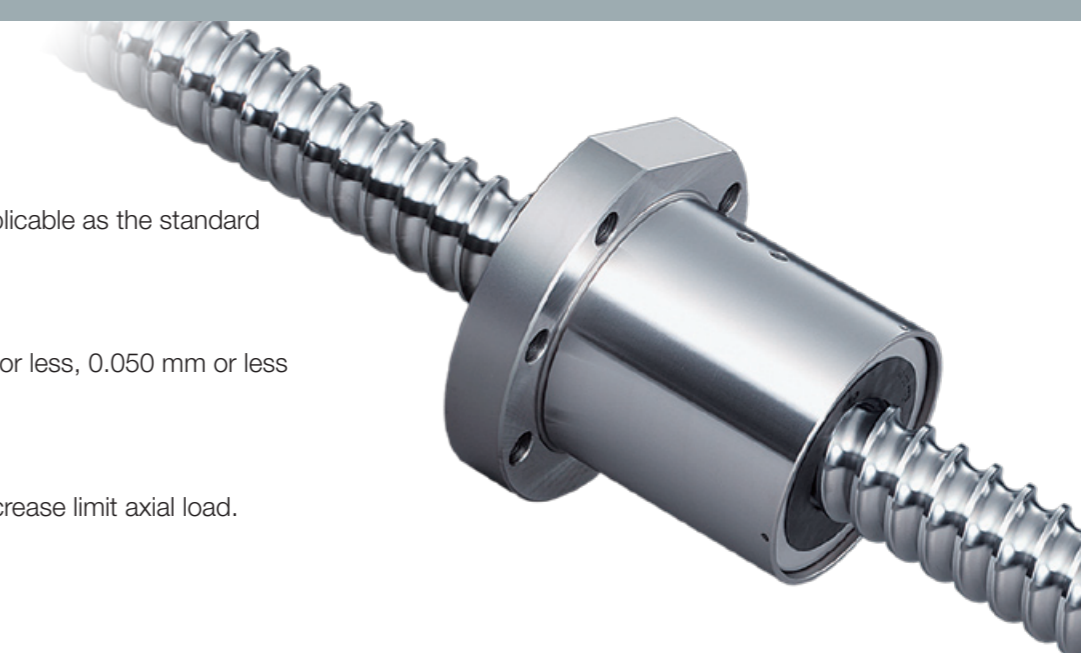
Ct7 of JIS B 1192 (1997) is applicable as the standard accuracy grade.

Axial play

Standard axial play: 0.020 mm or less, 0.050 mm or less

Option

High load capacity option to increase limit axial load. See page 7 for details.



2 Design Precautions

1) When designing the shaft ends, one end of the screw shaft must have ball groove cut through to the shaft end or the ball groove root diameter must be dr or less (see dimension chart), otherwise the ball nut cannot be installed on the screw shaft.

2) The table below shows the maximum length of screw shaft for the equipment of the A1 seal.

3) Please contact NSK with your special design requirements.

Unit [mm]	
Shaft dia.	Max. shaft length
50	1 500
63	1 500
80	1 700
100, 120	1 900

3 Selection of Ball Screw

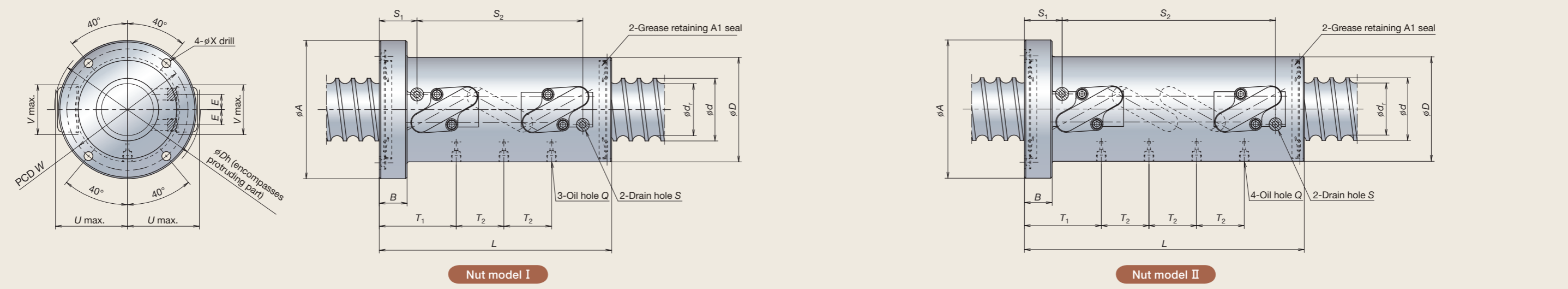
- Please refer to pages 11 and 12 for details on the operating life of the ball screw and instructions on installation and lubrication.
- Please consult NSK in the case of a short stroke operation less than or equal to four times the length of the ball screw lead.

4 Environmental Conditions

- Use temperature: 70 deg C maximum (temperature at nut diameter). Use at or below 60 deg C is recommended.
- Never use in an environment where degreasing solvents are present. Examples: grease-removing organic solvent such as hexane or thinner, white kerosine, rust preventive oil (containing white kerosine)

HTF-ASRC Type

Outline drawing

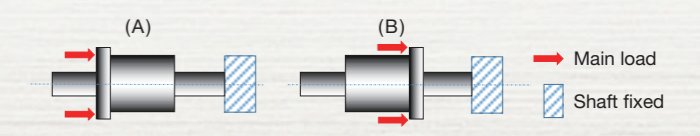


HTF-ASRC Type Specifications

Unit [mm]

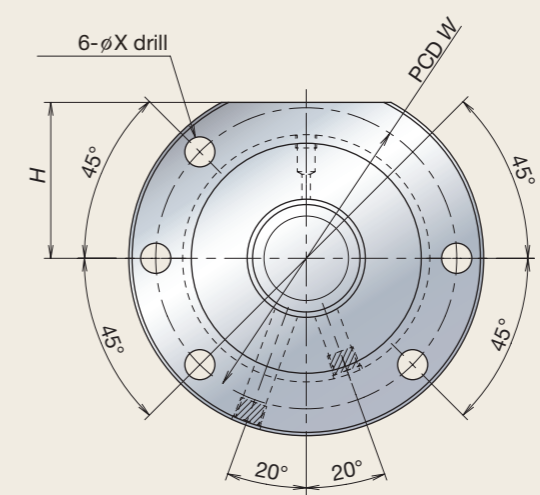
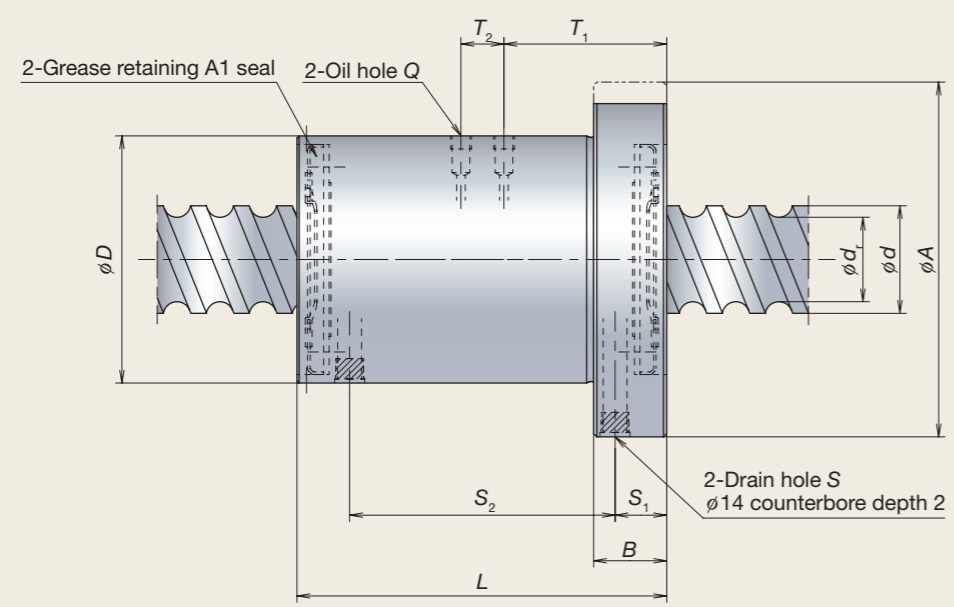
Model No.	Lead l	Shaft dia. d	Root dia. d_r	Effective ball turns Turns x Circuits	Nut model	Basic load rating (kN)		Ball nut dimensions														Allowable axial load (kN)			
						Dynamic C_a	Static C_{0a}	D	A	B	L	W	X	U	V	Dh	Q	T_1	T_2	S	E	S_1	S_2	Mounting ☆ See below	
																								[A] Recommended	[B]
HTF-ASRC5016-7.5	16	50	39	2.5x3	I	383	818	95	129	28	234	112	9	66	50	134	Rc1/8	77.5	48	Rc1/4	15.3	38	167	124.8	106.2
HTF-ASRC6316-7.5	16	63	52	2.5x3	I	429	1 050	105	139	28	234	122	9	72.5	50	148	Rc1/8	77.5	48	Rc1/4	15.3	38	167	174.2	139.9
HTF-ASRC6316-10	16	63	52	2.5x4	II	549	1 410	105	139	28	282	122	9	72.5	50	148	Rc1/8	77.5	48	Rc1/4	15.3	38	215	202.3	152.4
HTF-ASRC6316-10.5	16	63	52	3.5x3	I	562	1 450	105	139	28	282	122	9	72.5	50	148	Rc1/8	77.5	64	Rc1/4	11.8	38	215	210.6	157.9
HTF-ASRC6316-14	16	63	52	3.5x4	II	720	1 930	105	139	28	346	122	9	72.5	50	148	Rc1/8	77.5	64	Rc1/4	11.8	38	279	233.8	165.5
HTF-ASRC8016-10.5	16	80	69	3.5x3	I	627	1 870	120	154	32	284	137	9	80	60	165	Rc1/8	81.5	64	Rc1/4	11.3	42	215	305.7	209.4
HTF-ASRC8016-14	16	80	69	3.5x4	II	802	2 490	120	154	32	348	137	9	80	60	165	Rc1/8	81.5	64	Rc1/4	11.3	42	279	351.2	220.9
HTF-ASRC6320-7.5	20	63	49	2.5x3	I	572	1 280	117	157	32	279	137	11	80	62	163	Rc1/8	90	60	Rc1/4	18.5	43	204	202.2	170
HTF-ASRC6320-10	20	63	49	2.5x4	II	732	1 710	117	157	32	339	137	11	80	62	163	Rc1/8	90	60	Rc1/4	18.5	43	264	227.7	183.2
HTF-ASRC8020-10.5	20	80	66	3.5x3	I	838	2 300	130	170	32	339	150	11	88	64	180	Rc1/8	90	80	Rc1/4	15	43	264	350	255.5
HTF-ASRC10020-10.5	20	100	86	3.5x3	I	936	2 910	145	185	32	339	165	11	97	78	199	Rc1/8	90	80	Rc1/4	13	43	264	497.1	325.6
HTF-ASRC10020-14	20	100	86	3.5x4	II	1 200	3 890	145	185	32	419	165	11	97	78	199	Rc1/8	90	80	Rc1/4	13	43	344	572.1	341.8
HTF-ASRC12020-7.5	20	120	106	2.5x3	I	776	2 550	173	213	40	287	193	11	109.5	88	229	Rc1/8	98	60	Rc1/4	20	51	204	481.6	365
HTF-ASRC12020-10	20	120	106	2.5x4	II	994	3 400	173	213	40	347	193	11	109.5	88	229	Rc1/8	98	60	Rc1/4	20	51	264	589.3	404.8
HTF-ASRC6325-10.5	25	63	49	3.5x3	I	750	1 770	117	157	32	405	137	11	81.5	61	167	Rc1/8	101.75	100	Rc1/4	13.5	47	323	220.4	174.1
HTF-ASRC8025-7.5	25	80	63	2.5x3	I	790	1 960	145	185	40	347	165	11	99.5	73	202	Rc1/8	111.75	75	Rc1/4	19	55	251	319.3	268.3
HTF-ASRC10025-10.5	25	100	83	3.5x3	I	1 200	3 430	159	199	40	422	179	11	108	79	220	Rc1/8	111.75	100	Rc1/4	14	55	326	539.8	384.5
HTF-ASRC10025-14	25	100	83	3.5x4	II	1 540	4 580	159	199	40	522	179	11	108	79	220	Rc1/8	111.75	100	Rc1/4	14	55	426	603.3	402.2
HTF-ASRC12025-10.5	25	120	103	3.5x3	I	1 300	4 200	173	213	40	421	193	11	116	92	238	Rc1/8	111.25	100	Rc1/4	11	55	325	713.4	466.6
HTF-ASRC12025-14	25	120	103	3.5x4	II	1 660	5 600	173	213	40	521	193	11	116	92	238	Rc1/8	111.25	100	Rc1/4	11	55	425	815.4	488.3

- Remarks: 1. Drain holes shall be plugged for shipping.
 2. The right hand screw is the standard. For specifications on left hand screws, contact NSK.
 3. The allowable axial load is a value in the case of S clearance. If the clearance amount and mounting conditions differ, please note that the allowable axial load is also different.



HTF-ASRD Type

Outline drawing

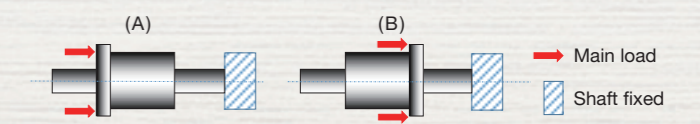


HTF-ASRD Type Specifications

Unit [mm]

Model No.	Lead ℓ	Shaft dia. d	Root dia. d_r	Basic load rating (kN)		Ball nut dimensions													Allowable axial load (kN)	
				Dynamic C_a	Static C_{0a}	D	A	B	L	H	W	X	Q	T_1	T_2	S	S_1	S_2	Mounting <small>☆ See below</small>	
																			[A] Recommended	[B]
HTF-ASRD6332-4E	32	63	49	292	590	140	190	36	186	85	165	14	Rc1/8	85.1	—	Rc1/4	23.5	138	109.7	105.9
HTF-ASRD5040-6E	40	50	39	243	491	115	165	34	172	72.5	140	14	Rc1/8	75.7	20	Rc1/4	24	123.5	101	94.9
HTF-ASRD5040-8E	40	50	39	319	679	115	165	34	212	72.5	140	14	Rc1/8	95.7	20	Rc1/4	24	163.5	119.7	109.6
HTF-ASRD6340-6E	40	63	49	363	768	140	200	36	176	90	170	18	Rc1/8	77.6	20	Rc1/4	24	127.5	170	160.3
HTF-ASRD6340-8E	40	63	49	476	1 060	140	200	36	216	90	170	18	Rc1/8	97.6	20	Rc1/4	24	167.5	205.2	188.2
HTF-ASRD8050-6E	50	80	63	502	1 180	175	250	40	208	110	210	22	Rc1/8	91.1	25	Rc1/4	26	156	265.3	249.7
HTF-ASRD8050-8E	50	80	63	658	1 630	175	250	40	258	110	210	22	Rc1/8	116.1	25	Rc1/4	26	206	322.3	294.5
HTF-ASRD10060-6E	60	100	83	583	1 490	195	270	40	239	122	235	22	Rc1/8	104.5	30	Rc1/4	26	187	339.7	313.2
HTF-ASRD10060-8E	60	100	83	765	2 060	195	270	40	299	122	235	22	Rc1/8	134.5	30	Rc1/4	26	247	415.8	368.3

- Remarks: 1. Drain holes shall be plugged for shipping.
 2. The right hand screw is the standard. For specifications on left hand screws, contact NSK.
 3. The allowable axial load is a value in the case of S clearance. If the clearance amount and mounting conditions differ, please note that the allowable axial load is also different.

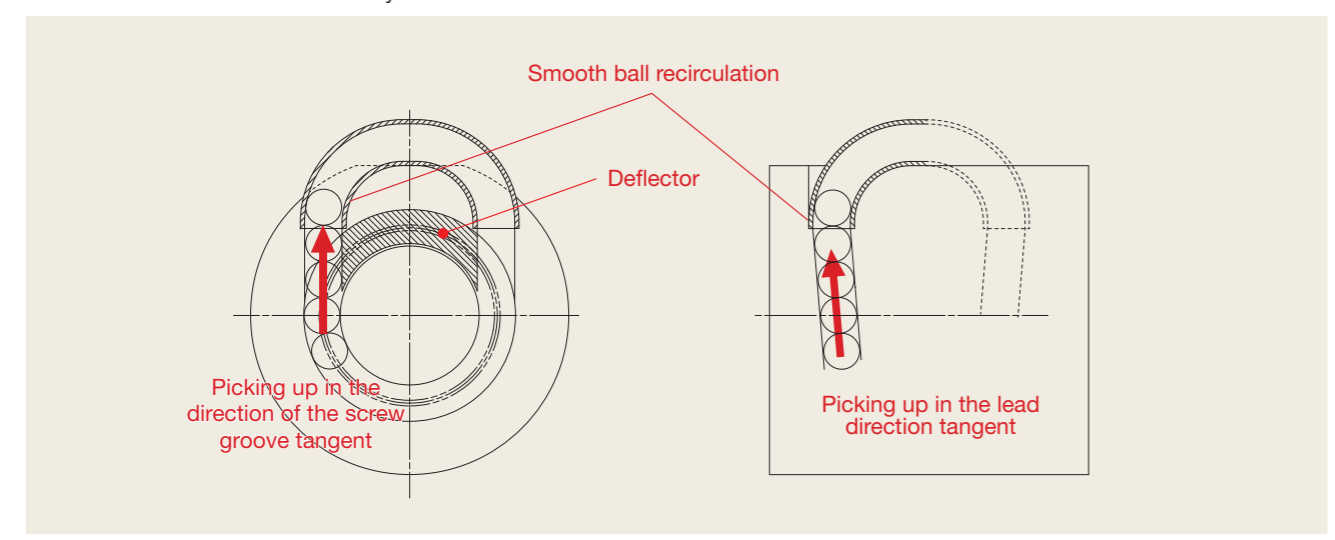


HTF-SRE Type

1 Specifications

Recirculation system: picking up balls in the direction tangent to deflector

By smoothly picking up balls in the direction of the screw groove tangent, feeding speed is 1.4 to 2 times as fast as the conventional tube recirculation system.



Allowable d-n value

Allowable d-n value 100,000
 d-n value: shaft diameter d [mm] × rotations n [min⁻¹]

Allowable feed speed of combinations of shaft diameter and lead Unit [mm]

Shaft dia.	Lead	25	30	70	80	Allowable rotating speed [min ⁻¹]
140						714
160						
200						500

- Please consult NSK about ball nut shape and dimensions.
- A double-spread screw can be used for leads of 50mm and more.

High-speed performance two times greater than existing products

Abundant variation

Accuracy grade

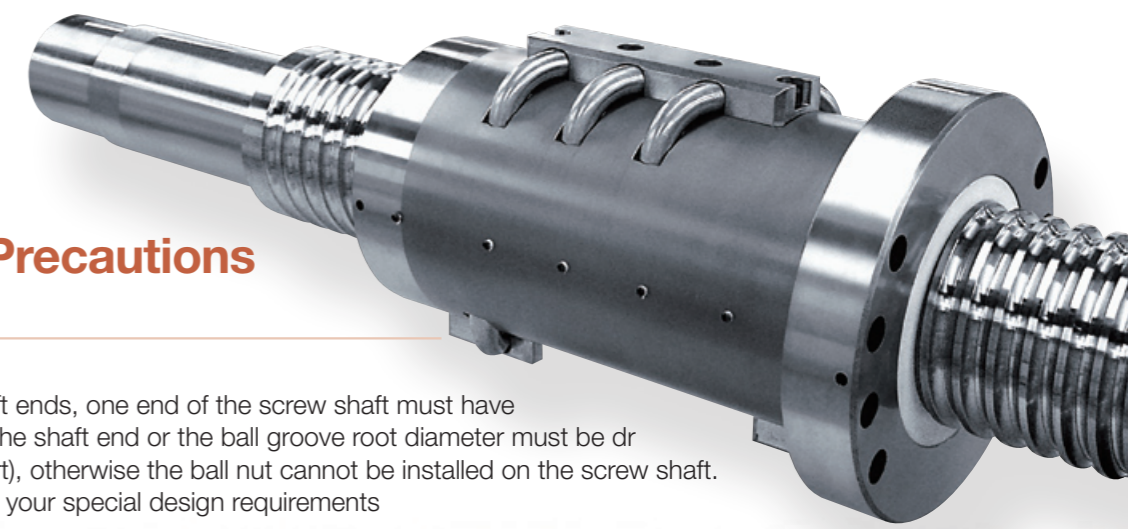
Ct7 of JIS B 1192 (1997) is applicable as the standard accuracy grade.

Axial play

Standard axial play: 0.050 mm or less

Option

- High load capacity option to increase limit axial load. See page 7 for details.
- Consult NSK if the number of circuits is to be changed for a higher load capacity or circulation routes are to be placed on a single side.



2 Design Precautions

- 1) When designing the shaft ends, one end of the screw shaft must have ball groove cut through to the shaft end or the ball groove root diameter must be dr or less (see dimension chart), otherwise the ball nut cannot be installed on the screw shaft.
- 2) Please consult NSK with your special design requirements

3 Selection of Ball Screw

- Please refer to pages 11 and 12 for details on the operating life of the ball screw and instructions on installation and lubrication.
- Please consult NSK in the case of a short stroke operation less than or equal to four times the length of the ball screw lead.capacity or circulation routes are to be placed on a single side.

4 Operating Temperature

- Use temperature: 70 deg C maximum (temperature at nut diameter).

HTF Type

1 Specifications

Allowable d·n value and feed speed

Lead	20 mm or less	25 mm	30 to 32 mm
Standard	≤70 000	≤70 000	≤50 000
High-speed	≤100 000	—	—

d·n: Shaft diameter d (mm) × Rotational speed (min⁻¹)

■ For even faster specs, HTF-SRC is recommended (See pages 13–16 for details).

Allowable feed speed of combinations of shaft diameter and lead Unit [mm/s]

Shaft dia. [mm]	Lead [mm]							
	10	12	14	16	20	25	30	32
32	520							
36	460	550						
40	410	500						
45	370	440						
50	330	400	460	530				
55	300	360	420	480				
63		310	370	440	520	460		
80			290	330	410	360		
100				260	330	290		
120				220	270	240		
140					230	200	170	190
160						180	150	160
200							120	130

Leads with a diameter of 20 mm or less have high-speed feeding specs.

Accuracy grade

Ct7 of JIS B 1192 (1997) is applicable as the standard accuracy grade.

Axial play

Standard axial play: 0.020 mm or less, or 0.050 mm or less

Optional specs

- High load capacity option to increase limit axial load. See page 7 for details.
- Consult NSK if the number of circuits is to be changed for a higher load capacity or circulation routes are to be placed on a single side.

2 Design Precautions

- 1) When designing the shaft ends, one end of the screw shaft must have a ball groove cut through to the shaft end or the ball groove root diameter must be d_r or less (see dimension chart), otherwise the ball nut cannot be installed on the screw shaft.
- 2) Please consult NSK with your special design requirements.

3 Selection of Ball Screw

- Please refer to pages 11 and 12 for details on the operating life of the ball screw and instructions on installation and lubrication.
- Please consult NSK in the case of a short stroke operation less than or equal to four times the length of the ball screw lead.

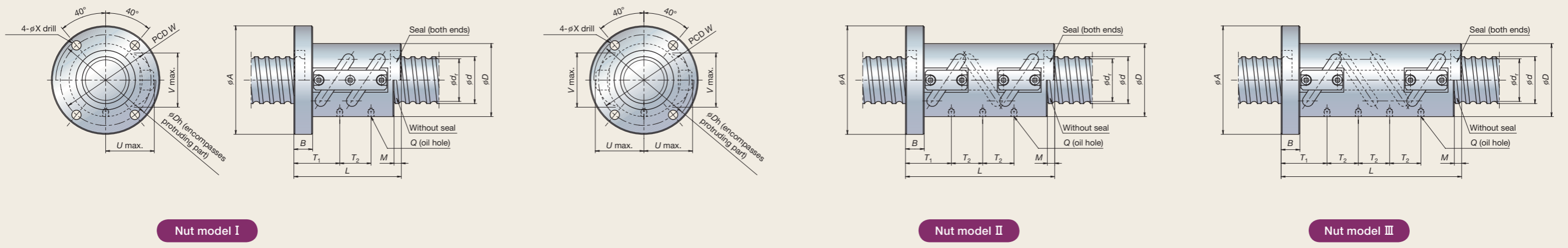
4 Operating Temperature

- Use temperature: 70 deg C maximum (temperature at nut diameter)



HTF Type

Outline drawing

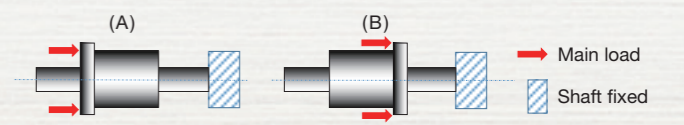


HTF Type Specifications

Unit [mm]

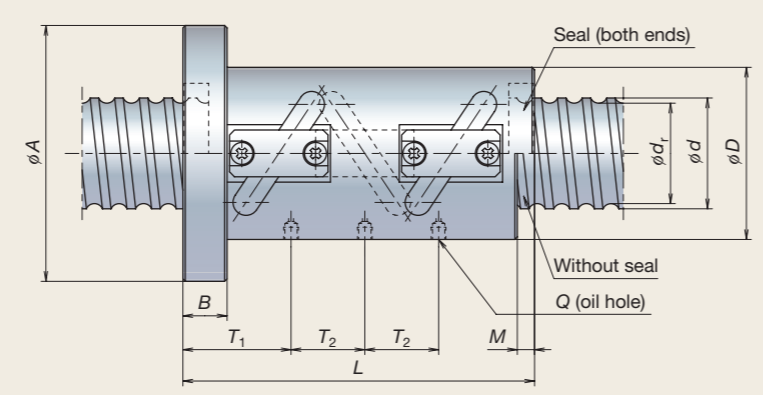
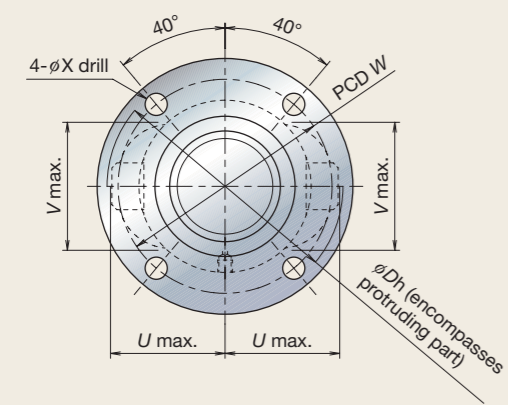
Model No.	Lead ℓ	Shaft dia. d	Root dia. d_r	Effective ball turns Turns \times Circuits	Nut model	Basic load rating (kN)		Ball nut dimensions												Allowable axial load (kN)		
						Dynamic C_a	Static C_{0a}	D	A	B	L	M	W	X	U	V	Dh	Q	T_1	T_2	Mounting \star See below	
																					[A] Recommended	[B]
HTF3210-5	10	32	25.6	2.5x2	I	88.7	169	58	92	18	103	7	75	9	40.5	42	82	M6x1	36.5	30	30.9	28.3
HTF3610-5	10	36	29.6	2.5x2	I	96.1	191	62	96	18	103	7	79	9	43	45	87	M6x1	36.5	30	34.9	31.8
HTF4010-7.5	10	40	33.6	2.5x3	II	149	344	66	100	18	143	7	83	9	45	48	91	M6x1	46.5	30	56.2	45.3
HTF4510-7.5	10	45	38.6	2.5x3	II	158	386	70	104	18	143	7	87	9	47	52	95	M6x1	46.5	30	65.7	51.3
HTF4510-10	10	45	38.6	2.5x4	III	203	514	70	104	18	173	7	87	9	47	52	95	M6x1	46.5	30	78.2	56.4
HTF5010-7.5	10	50	43.6	2.5x3	II	166	435	75	109	18	143	7	92	9	49	57	99	M6x1	46.5	30	76.2	58.4
HTF5010-10	10	50	43.6	2.5x4	III	213	580	75	109	18	173	7	92	9	49	57	99	M6x1	46.5	30	91.9	64.4
HTF5510-7.5	10	55	48.6	2.5x3	II	173	477	80	114	18	143	7	97	9	51.5	62	104	M6x1	46.5	30	85.7	64.7
HTF5510-10	10	55	48.6	2.5x4	III	222	636	80	114	18	173	7	97	9	51.5	62	104	M6x1	46.5	30	104.7	71.6
HTF3612-5	12	36	29	2.5x2	I	112	228	66	100	22	123	8	83	9	46.5	46	94	M6x1	44	36	40.1	36.7
HTF4012-7.5	12	40	33	2.5x3	II	184	422	70	104	22	171	8	87	9	47.5	50	96	M6x1	56	36	58.9	49.1
HTF4512-7.5	12	45	38	2.5x3	II	195	473	72	106	22	171	8	89	9	49.5	54	100	M6x1	56	36	71.7	55.7
HTF5012-7.5	12	50	43	2.5x3	II	205	525	77	111	22	171	8	94	9	52	59	105	M6x1	56	36	82.9	63.2
HTF5012-10	12	50	43	2.5x4	III	263	700	77	111	22	207	8	94	9	52	59	105	M6x1	56	36	98.3	68.9
HTF5512-7.5	12	55	48	2.5x3	II	214	586	82	116	22	171	8	99	9	54.5	63	110	M6x1	56	36	94.4	70.6
HTF5512-10	12	55	48	2.5x4	III	274	781	82	116	22	207	8	99	9	54.5	63	110	M6x1	56	36	113.3	77.3
HTF6312-7.5	12	63	56	2.5x3	II	227	668	92	126	22	171	8	109	9	58.5	70	118	M6x1	56	36	111.5	83.9
HTF6312-10	12	63	56	2.5x4	III	290	891	92	126	22	207	8	109	9	58.5	70	118	M6x1	56	36	135.8	92.6

- Remarks: 1. The ball nut length with no seals is shorter by M than that of a ball nut with seals.
 2. Please consult NSK if load exceeds the allowable axial load (Fa max.).
 3. The right hand screw is the standard. For specifications on left hand screws, contact NSK.
 4. The allowable axial load is a value in the case of S clearance. If the clearance amount and mounting conditions differ, please note that the allowable axial load is also different.

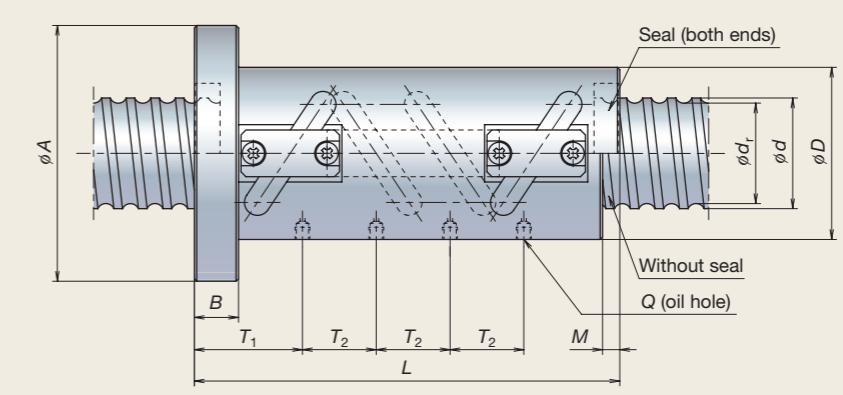


HTF Type

Outline drawing



Nut model II



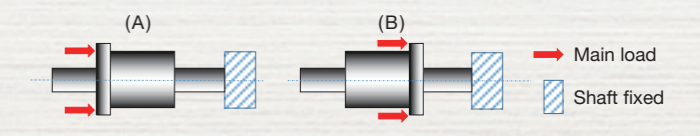
Nut model III

HTF Type Specifications

Unit [mm]

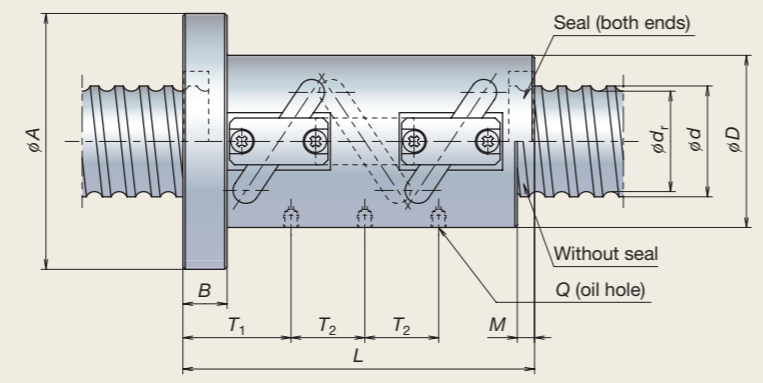
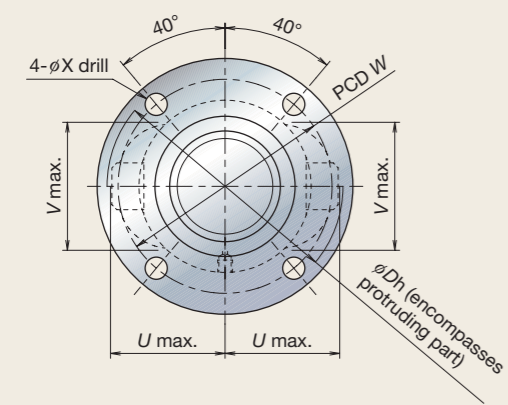
Model No.	Lead ℓ	Shaft dia. d	Root dia. d_r	Effective ball turns Turns \times Circuits	Nut model	Basic load rating (kN)		Ball nut dimensions												Allowable axial load (kN)		
						Dynamic C_a	Static C_{0a}	D	A	B	L	M	W	X	U	V	Dh	Q	T_1	T_2	Mounting \star See below	
																					[A] Recommended	[B]
HTF5014-7.5	14	50	41.7	2.5x3	II	264	623	80	114	28	200	10	97	9	55.5	61	112	M6x1	66.5	42	98.6	75.8
HTF5514-7.5	14	55	46.7	2.5x3	II	270	696	85	119	28	200	10	102	9	57.5	65	116	M6x1	66.5	42	112.4	84.7
HTF6314-7.5	14	63	54.7	2.5x3	II	291	800	94	128	28	200	10	111	9	61.5	72	124	M6x1	66.5	42	135.3	100.5
HTF6314-10	14	63	54.7	2.5x4	III	373	1 070	94	128	28	242	10	111	9	61.5	72	124	M6x1	66.5	42	162	109.7
HTF8014-7.5	14	80	71.7	2.5x3	II	327	1 020	116	150	28	200	10	133	9	72	87	146	M6x1	66.5	42	180	136.2
HTF8014-10	14	80	71.7	2.5x4	III	418	1 360	116	150	28	242	10	133	9	72	87	146	M6x1	66.5	42	220.6	151.1
HTF5016-7.5	16	50	39	2.5x3	II	383	818	95	129	28	223	10	112	9	68	66	137	Rc1/8	73	48	124.8	106.2
HTF5516-7.5	16	55	44	2.5x3	II	399	922	99	133	28	223	10	116	9	70	70	141	Rc1/8	73	48	143.1	119.2
HTF6316-7.5	16	63	52	2.5x3	II	429	1 050	105	139	28	223	10	122	9	72.5	76	146	Rc1/8	74.5	48	174.2	139.9
HTF6316-10	16	63	52	2.5x4	III	549	1 410	105	139	28	271	10	122	9	72.5	76	146	Rc1/8	74.5	48	202.3	152.4
HTF6316-10.5	16	63	52	3.5x3	II	562	1 450	105	139	28	271	10	122	9	72.5	76	146	Rc1/8	74.5	64	210.6	157.9
HTF6316-14	16	63	52	3.5x4	III	720	1 930	105	139	28	335	10	122	9	72.5	76	146	Rc1/8	74.5	64	233.8	165.5
HTF8016-7.5	16	80	69	2.5x3	II	478	1 340	120	154	32	227	10	137	9	80	92	161	Rc1/8	77	48	240.6	182.3
HTF8016-10	16	80	69	2.5x4	III	612	1 790	120	154	32	275	10	137	9	80	92	161	Rc1/8	77	48	289.6	200.3
HTF8016-10.5	16	80	69	3.5x3	II	627	1 870	120	154	32	275	10	137	9	80	92	161	Rc1/8	77	48	305.7	209.4
HTF8016-14	16	80	69	3.5x4	III	802	2 490	120	154	32	339	10	137	9	80	92	161	Rc1/8	77	48	351.2	220.9
HTF10016-7.5	16	100	89	2.5x3	II	529	1 710	145	185	32	227	10	165	11	91	109	184	Rc1/8	77	48	318.1	242.8
HTF10016-10	16	100	89	2.5x4	III	677	2 280	145	185	32	275	10	165	11	91	109	184	Rc1/8	77	48	391.3	270.5
HTF12016-7.5	16	120	109	2.5x3	II	572	2 050	173	213	32	227	10	193	11	104	126	210	Rc1/8	77	48	387.4	305.8
HTF12016-10	16	120	109	2.5x4	III	732	2 730	173	213	32	275	10	193	11	104	126	210	Rc1/8	77	48	482.6	346.1

- Remarks: 1. The ball nut length with no seals is shorter by M than that of a ball nut with seals.
- 2. Please consult NSK if load exceeds the allowable axial load ($F_a \text{ max.}$).
- 3. The right hand screw is the standard. For specifications on left hand screws, contact NSK.
- 4. The allowable axial load is a value in the case of S clearance. If the clearance amount and mounting conditions differ, please note that the allowable axial load is also different.

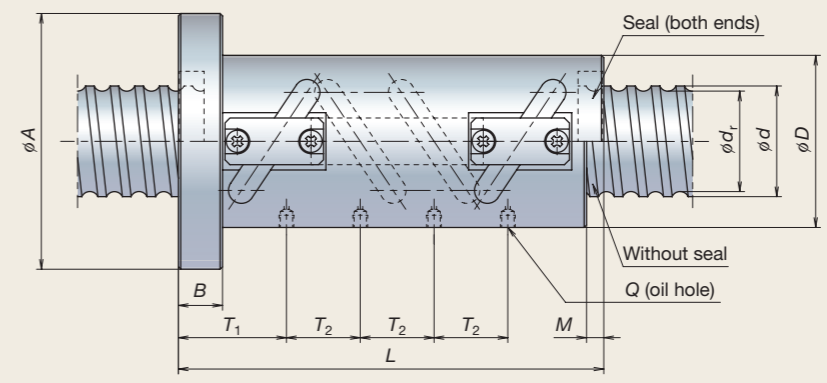


HTF Type

Outline drawing



Nut model II



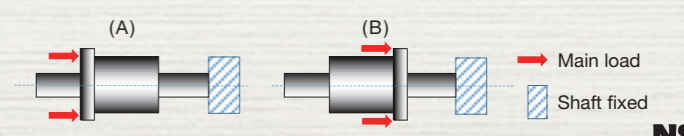
Nut model III

HTF Type Specifications

Unit [mm]

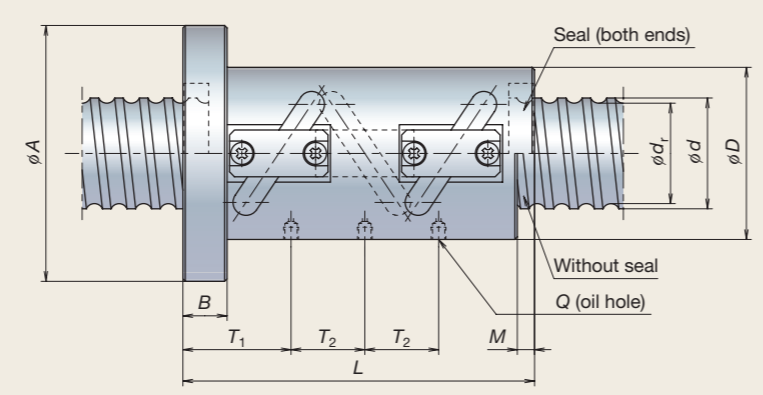
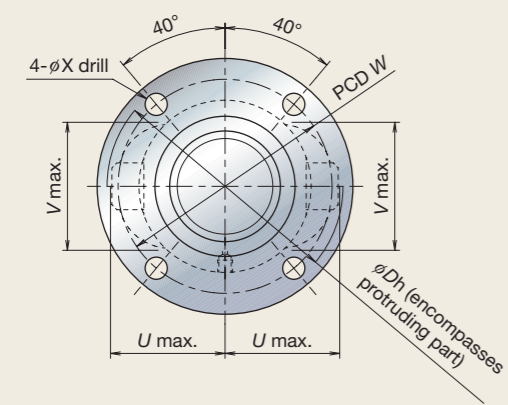
Model No.	Lead ℓ	Shaft dia. d	Root dia. d_r	Effective ball turns Turns \times Circuits	Nut model	Basic load rating (kN)		Ball nut dimensions													Allowable axial load (kN)	
						Dynamic C_a	Static C_{0a}	D	A	B	L	M	W	X	U	V	Dh	Q	T_1	T_2	Mounting \star See below	
																					[A] Recommended	[B]
HTF6320-7.5	20	63	49	2.5x3	II	572	1 320	117	157	32	273	12	137	11	83.5	81	168	Rc1/8	88	60	203.6	170.6
HTF6320-10	20	63	49	2.5x4	III	732	1 760	117	157	32	293	12	137	11	83.5	81	168	Rc1/8	88	60	229.6	184
HTF6320-10.5	20	63	49	3.5x3	II	749	1 810	117	157	32	333	12	137	11	83.5	81	168	Rc1/8	88	80	239.4	191.1
HTF8020-7.5	20	80	66	2.5x3	II	639	1 690	130	170	32	273	12	150	11	89.5	96	181	Rc1/8	88	60	291.6	228.2
HTF8020-10	20	80	66	2.5x4	III	818	2 250	130	170	32	333	12	150	11	89.5	96	181	Rc1/8	88	60	340.2	248.1
HTF8020-10.5	20	80	66	3.5x3	II	838	2 300	130	170	32	333	12	150	11	89.5	96	181	Rc1/8	88	80	352.5	255.9
HTF10020-7.5	20	100	86	2.5x3	II	713	2 140	145	185	32	273	12	165	11	97.5	114	196	Rc1/8	88	60	394.9	289
HTF10020-10	20	100	86	2.5x4	III	914	2 850	145	185	32	333	12	165	11	97.5	114	196	Rc1/8	88	60	474.9	315.3
HTF10020-10.5	20	100	86	3.5x3	II	935	2 920	145	185	32	333	12	165	11	97.5	114	196	Rc1/8	90	80	493.5	325.4
HTF10020-14	20	100	86	3.5x4	III	1 200	3 890	145	185	32	413	12	165	11	97.5	114	196	Rc1/8	90	80	566.8	341.6
HTF12020-7.5	20	120	106	2.5x3	II	775	2 550	173	213	40	281	12	193	11	111	130	223	Rc1/8	96	60	479.9	364.9
HTF12020-10	20	120	106	2.5x4	III	993	3 400	173	213	40	341	12	193	11	111	130	223	Rc1/8	96	60	586.3	404.7
HTF12020-10.5	20	120	106	3.5x3	II	1 020	3 530	173	213	40	341	12	193	11	111	131	223	Rc1/8	96	80	618.5	422.6
HTF12020-14	20	120	106	3.5x4	III	1 300	4 710	173	213	40	421	12	193	11	111	131	223	Rc1/8	96	80	722.4	448.8
HTF14020-7.5	20	140	126	2.5x3	II	829	3 000	204	250	40	281	12	226	14	122.5	148	248	Rc1/8	96	60	575	451
HTF14020-10	20	140	126	2.5x4	III	1 060	4 000	204	250	40	341	12	226	14	122.5	148	248	Rc1/8	96	60	712.4	508
HTF6325-10.5	25	63	49	3.5x3	II	749	1 810	117	157	32	272	12	137	11	83.5	83	169	Rc1/8	98.75	100	225.7	177.1
HTF8025-7.5	25	80	64	2.5x3	II	829	2 020	145	185	40	338	17	165	11	102	100	206	Rc1/8	109.25	75	322.7	266.4
HTF10025-7.5	25	100	84	2.5x3	II	917	2 550	159	199	40	338	17	179	11	108.5	118	219	Rc1/8	109.25	75	454.4	347.2
HTF10025-10	25	100	84	2.5x4	III	1 170	3 400	159	199	40	413	17	179	11	108.5	118	219	Rc1/8	109.25	75	532.4	376.6
HTF10025-10.5	25	100	84	3.5x3	II	1 200	3 490	159	199	40	413	17	179	11	108.5	118	219	Rc1/8	109.25	100	553.2	389.3
HTF10025-14	25	100	84	3.5x4	III	1 540	4 650	159	199	40	513	17	179	11	108.5	118	219	Rc1/8	109.25	100	619.4	406.9
HTF12025-7.5	25	120	104	2.5x3	II	990	3 080	173	213	40	338	17	193	11	116	135	223	Rc1/8	109.25	75	568.3	415.7
HTF12025-10	25	120	104	2.5x4	III	1 270	4 110	173	213	40	413	17	193	11	116	135	223	Rc1/8	109.25	75	678.1	451.5
HTF12025-10.5	25	120	104	3.5x3	II	1 300	4 200	173	213	40	413	17	193	11	116	134	233	Rc1/8	109.25	100	704.2	465.9
HTF12025-14	25	120	104	3.5x4	III	1 660	5 600	173	213	40	513	17	193	11	116	134	233	Rc1/8	109.25	100	802.1	487.6
HTF14025-7.5	25	140	124	2.5x3	II	1 050	3 610	204	250	40	338	17	226	14	127.5	153	258	Rc1/8	109.25	75	690.7	516.4
HTF14025-10	25	140	124	2.5x4	III	1 350	4 810	204	250	40	413	17	226	14	127.5	153	258	Rc1/8	109.25	75	842.6	570
HTF14025-10.5	25	140	124	3.5x3	II	1 380	4 910	204	250	40	413	17	226	14	127.5	153	258	Rc1/8	109.25	100	883.6	592.4
HTF14025-14	25	140	124	3.5x4	III	1 770	6 540	204	250	40	513	17	226	14	127.5	153	258	Rc1/8	109.25	100	1 030.5	627.2
HTF16025-7.5	25	160	144	2.5x3	II	1 140	4 140	234	280	40	338	17	256	14	138	173	279	Rc1/8	109.25	75	798.7	616.6
HTF16025-10	25	160	144	2.5x4	III	1 450	5 520	234	280	40	413	17	256	14	138	173	279	Rc1/8	109.25	75	984	689.4

- Remarks: 1. The ball nut length with no seals is shorter by M than that of a ball nut with seals.
- 2. Please consult NSK if load exceeds the allowable axial load (F_a max.).
- 3. The right hand screw is the standard. For specifications on left hand screws, contact NSK.
- 4. The allowable axial load is a value in the case of S clearance. If the clearance amount and mounting conditions differ, please note that the allowable axial load is also different.

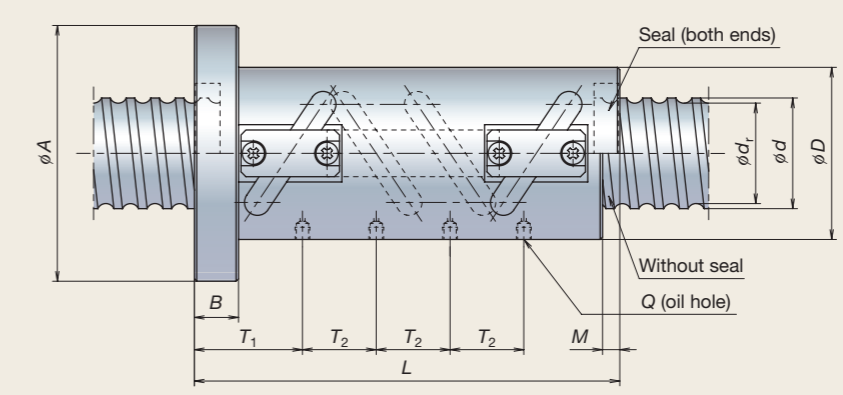


HTF Type

Outline drawing



Nut model II



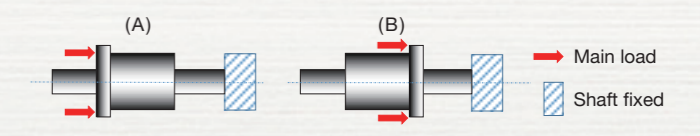
Nut model III

HTF Type Specifications

Unit [mm]

Model No.	Lead ℓ	Shaft dia. d	Root dia. d_r	Effective ball turns Turns \times Circuits	Nut model	Basic load rating (kN)		Ball nut dimensions													Allowable axial load (kN)	
						Dynamic C_a	Static C_{0a}	D	A	B	L	M	W	X	U	V	Dh	Q	T_1	T_2	Mounting \star See below	
																					[A] Recommended	[B]
HTF14030-7.5	30	140	121	2.5x3	II	1 310	4 110	222	282	50	411	22	252	18	139	160	281	Rc1/8	134.5	90	753.5	596.1
HTF14030-10	30	140	121	2.5x4	III	1 670	5 490	222	282	50	501	22	252	18	139	160	281	Rc1/8	134.5	90	894.7	656.4
HTF14030-10.5	30	140	121	3.5x3	II	1 710	5 710	222	282	50	501	22	252	18	139	160	281	Rc1/8	134.5	120	942.8	686.3
HTF16030-7.5	30	160	141	2.5x3	II	1 400	4 760	234	294	50	411	22	264	18	148	177	299	Rc1/8	134.5	90	928.4	689.5
HTF16030-10	30	160	141	2.5x4	III	1 790	6 340	234	294	50	501	22	264	18	148	177	299	Rc1/8	134.5	90	1 128.2	758.4
HTF16030-10.5	30	160	141	3.5x3	II	1 830	6 520	234	294	50	501	22	264	18	148	177	299	Rc1/8	134.5	120	1 175.8	784.5
HTF20030-7.5	30	200	181	2.5x3	II	1 550	5 960	290	350	50	411	22	320	18	178	212	359	Rc1/8	134.5	90	1 190.1	920.7
HTF20030-10	30	200	181	2.5x4	III	1 980	7 950	290	350	50	501	22	320	18	178	212	359	Rc1/8	134.5	90	1 470.4	1 031.7
HTF14032-7.5	32	140	118	2.5x3	II	1 590	4 740	222	296	70	465	22	259	22	148	163	299	Rc1/8	166.5	96	856.9	669.1
HTF14032-10	32	140	118	2.5x4	III	2 040	6 320	222	296	70	561	22	259	22	148	163	299	Rc1/8	166.5	96	1 009.6	731.3
HTF14032-10.5	32	140	118	3.5x3	II	2 080	6 420	222	296	70	561	22	259	22	148	163	299	Rc1/8	166.5	128	1 057.3	760.7
HTF16032-7.5	32	160	138	2.5x3	II	1 660	5 370	234	308	70	465	22	271	22	152	181	307	Rc1/8	166.5	96	1 043.7	762.9
HTF16032-10	32	160	138	2.5x4	III	2 130	7 160	234	308	70	561	22	271	22	152	181	307	Rc1/8	166.5	96	1 261.7	834.1
HTF16032-10.5	32	160	138	3.5x3	II	2 180	7 460	234	308	70	561	22	271	22	152	181	307	Rc1/8	166.5	128	1 332.3	871.7
HTF20032-7.5	32	200	178	2.5x3	II	1 840	6 840	290	364	70	465	22	327	22	182	215	367	Rc1/8	166.5	96	1 359.2	1 034.9
HTF20032-10	32	200	178	2.5x4	III	2 360	9 120	290	364	70	561	22	327	22	182	215	367	Rc1/8	166.5	96	1 670.5	1 151.7

- Remarks: 1. The ball nut length with no seals is shorter by M than that of a ball nut with seals.
 2. Please consult NSK if load exceeds the allowable axial load (Fa max.).
 3. The right hand screw is the standard. For specifications on left hand screws, contact NSK.
 4. The allowable axial load is a value in the case of S clearance. If the clearance amount and mounting conditions differ, please note that the allowable axial load is also different.



NSKTAC Series of Ball Screw Support Bearings for High-Load Applications

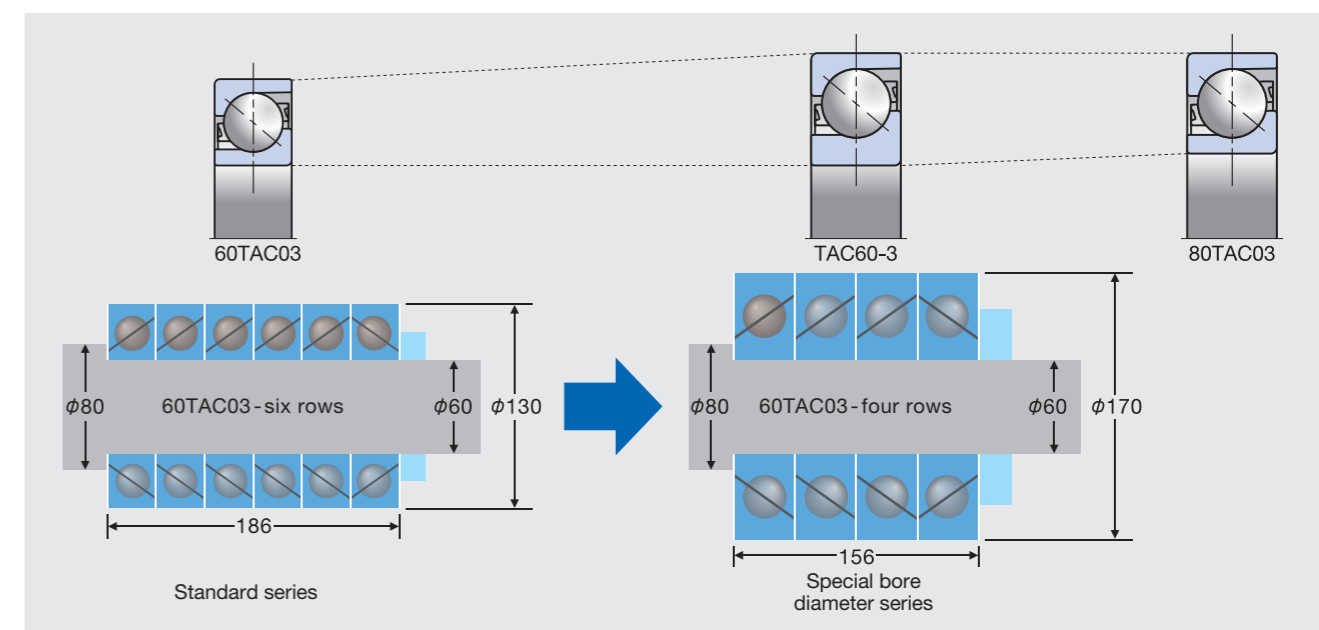
Standard Series and Special Bore Diameter Series of Ball Screw Support Bearings for High-Load Applications

NSKHPS™
Angular Contact Thrust Ball Bearings of Ball Screw Support Bearings for High-Load Drive Applications

High-capacity bearings used for supporting ball screws operating under high loads typically adopt large-diameter steel balls in order to ensure sufficient high capacity and to reduce the number of rows of combinations. With the development and commercialization of the special bore diameter series, which has the same load rating as that of the standard series but with a smaller bore diameter, users can maintain equivalent high-capacity performance with a smaller diameter of screw shaft end without changing the number of rows. Please refer to pages 41 and 42 for applicable bearing tables.

Special Bore Series for Higher Load Capacity with Unchanged Shaft Diameter

The Special Bore Series are Standard Series bearings of the next larger size with only their bore reduced in size, permitting higher load capacity with the same shaft diameter as well as more compact screw shaft ends.



Extended bearing life and higher axial-load capacity

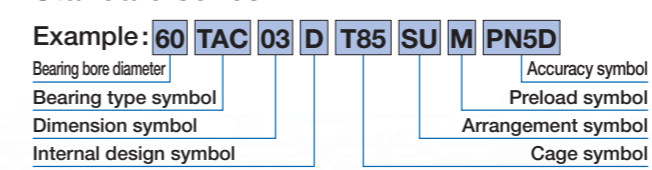
Special bore diameter series facilitates increasing load capacity of coaxial diameter and downscaling screw shaft end.



Easy handling by means of universal matching

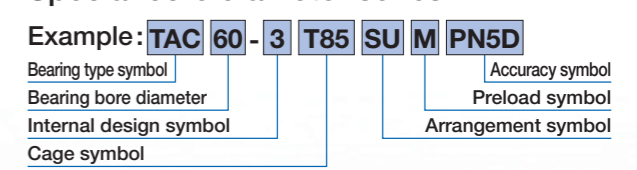
Formulation of Bearing Numbers

Standard series



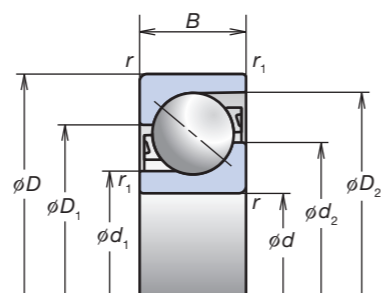
60	Bearing bore diameter	Bore diameter (mm)
TAC	Bearing type symbol	Angular contact thrust ball bearing
03	Dimension symbols	02:02 series; 03:03 series
D	Internal design symbol	Contact angle 55°
T85	Cage symbol	T85: Polyamide resin cage M: Brass cage
SU	Arrangement symbol	SU: Universal matching for single row
M	Preload symbol	M: Medium preload EL: Extra light preload
PN5D	Accuracy symbol	PN5D: Standard accuracy (ISO class 5 equivalent)

Special bore diameter series



TAC	Bearing type symbol	Angular contact thrust ball bearing
60	Bearing bore diameter	Bore diameter (mm)
3	Internal design symbol	Contact angle 55°
T85	Cage symbol	T85: Polyamide resin cage M: Brass cage
SU	Arrangement symbol	SU: Universal matching for single row
M	Preload symbol	M: Medium preload EL: Extra light preload
PN5D	Accuracy symbol	PN5D: Standard accuracy (ISO class 5 equivalent)

NSKTAC Series of Ball Screw Support Bearings for High-Load Applications



Multi-row combination calculations

Calculation of preload, axial rigidity and starting torque for bearing arrangements
 Multiply by factors in table B.

Table B

Number of load-sustaining rows	2 rows		3 rows			4 rows		5 rows
	DFD	DFB	DFT	DFFD	DFFF	DFTD	DFFT	DFTT
	⊗⊗	⊗⊗⊗	⊗⊗⊗	⊗⊗⊗⊗	⊗⊗⊗⊗⊗	⊗⊗⊗⊗	⊗⊗⊗⊗⊗	⊗⊗⊗⊗⊗
	DBD	DBB	DBT	DBBD	DBBB	DBTD	DBBT	DBTT
	⊗⊗	⊗⊗⊗	⊗⊗⊗	⊗⊗⊗⊗	⊗⊗⊗⊗⊗	⊗⊗⊗⊗	⊗⊗⊗⊗⊗	⊗⊗⊗⊗⊗
Preload factor	1.36	2.00	1.57	2.42	3.00	1.72	2.72	1.83
Axial rigidity	1.49	2.00	1.89	2.51	3.00	2.24	2.97	2.57
Starting torque	1.35	2.00	1.55	2.41	3.00	1.68	2.71	1.77

Bearing numbers ⁽¹⁾	Boundary dimensions (mm)					Dimensions (mm)				Recommended Grease Quantities (cc/row)	Contact angle (degree)	Limiting speeds ⁽²⁾ (min ⁻¹)		Mass (kg) (approx.)	Preload ⁽³⁾ (DB and DF Arrangement) (N)	Axial Rigidity ⁽³⁾ (DB and DF Arrangement) (N/μm)	Starting Torque ⁽⁴⁾ (DB and DF Arrangement) (N·m)	Basic dynamic load rating C _a by number of rows sustaining F _a					Limiting axial load by number of rows sustaining F _a ⁽⁵⁾				
	d	D	B	r (Min.)	r ₁ (Min.)	d ₁	d ₂	D ₁	D ₂			Grease	Oil					1 row (kN)	2 rows (kN)	3 rows (kN)	4 rows (kN)	5 rows (kN)	1 row (kN)	2 rows (kN)	3 rows (kN)	4 rows (kN)	5 rows (kN)
	15TAC02D	15	35	11	0.6	0.3	19.1	24.5	26			31.9	1					55	12 000	14 800	0.047	400	290	0.017	21.0	34.0	45.0
20TAC03D	20	52	15	1.1	0.6	27.2	35.3	37.5	46.1	2.7	55	8 300	10 300	0.155	830	430	0.026	42.5	69.5	92.0	113	132	38.5	77.0	116	154	193
25TAC02D	25	52	15	1	0.6	30.8	38.1	39.6	47.3	3	55	7 700	9 700	0.137	690	430	0.036	37.0	60.0	79.5	97.5	114	36.0	72.5	109	145	181
TAC35-3	35	90	23	1.5	1	50.4	64.2	67.1	81.7	14	55	4 600	6 000	0.712	2 500	780	0.26	113	184	244	299	350	118	235	355	470	590
40TAC03D	40	90	23	1.5	1	50.4	64.2	67.1	81.7	14	55	4 600	5 700	0.659	2 500	780	0.26	113	184	244	299	350	118	235	355	470	590
TAC40-3	40	110	27	2	1	62	79.1	82.4	100.6	25	55	3 700	5 000	1.28	3 900	970	0.50	166	270	360	440	515	181	360	540	720	905
45TAC03D	45	100	25	1.5	1	56.5	71.7	74.7	90.8	18	55	4 100	5 200	0.877	2 800	830	0.31	133	216	287	350	410	142	283	425	565	710
TAC45-3	45	110	27	2	1	62	79.1	82.4	100.6	25	55	3 700	4 800	1.21	3 900	970	0.50	166	270	360	440	515	181	360	540	720	905
50TAC03D	50	110	27	2	1	62	79.1	82.4	100.6	25	55	3 700	4 700	1.14	3 900	970	0.50	166	270	360	440	515	181	360	540	720	905
TAC50-3	50	130	31	2.1	1.1	73.9	93.8	98	119	40	55	3 100	4 200	2.00	5 200	1 120	0.78	218	355	470	575	670	242	485	725	965	1 210
55TAC03D	55	120	29	2	1	68	86.4	90.2	109.7	32	55	3 400	4 300	1.44	4 280	1 060	0.68	190	310	410	500	585	210	420	630	840	1 050
60TAC03D	60	130	31	2.1	1.1	73.9	93.8	98	119	40	55	3 100	3 900	1.80	5 200	1 120	0.78	218	355	470	575	670	242	485	725	965	1 210
TAC60-3	60	170	39	2.1	1.1	98.5	123.6	128.7	157.5	85	55	2 400	3 300	4.47	8 050	1 400	1.5	305	495	660	805	940	390	775	1 170	1 550	1 940
70TAC03D	70	150	35	2.1	1.1	86.3	108.6	113.4	137.8	59	55	2 700	3 400	2.67	6 400	1 250	1.1	262	425	565	690	810	305	615	920	1 230	1 530
75TAC03D	75	160	37	2.1	1.1	92.4	116.2	121	146.2	67	55	2 500	3 200	3.20	7 230	1 330	1.3	283	460	610	750	875	345	690	1 040	1 380	1 730
80TAC03D	80	170	39	2.1	1.1	98.5	123.6	128.7	157.5	85	55	2 400	3 000	3.80	8 050	1 400	1.5	305	495	660	805	940	390	775	1 170	1 550	1 940
TAC80-3	80	215	47	3	1.1	124	154.9	160.4	194.5	156	55	1 900	2 600	8.66	1 240	880	0.15	420	685	910	1 110	1 300	510	1 020	1 530	2 040	2 550
100TAC03D	100	215	47	3	1.1	124	154.9	160.4	194.5	156	55	1 900	2 400	7.54	1 240	880	0.15	420	685	910	1 110	1 300	510	1 020	1 530	2 040	2 550
TAC100-3	100	260	55	3	1.1	150.5	186.9	193.4	231.7	254	55	1 500	2 100	14.8	1 620	1 050	0.21	520	850	1 130	1 380	1 610	680	1 360	2 040	2 720	3 400
120TAC03D	120	260	55	3	1.1	150.5	186.9	193.4	231.7	254	55	1 500	2 000	13.3	1 620	1 050	0.21	520	850	1 130	1 380	1 610	680	1 360	2 040	2 720	3 400
* TAC120-3M	120	300	62	4	1.5	170.8	215.3	224.1	265.7	336	55	1 300	1 800	24.5	1 710	1 130	0.24	640	1 040	1 380	1 680	1 970	794	1 590	2 380	3 200	3 950
* 140TAC03DM	140	300	62	4	1.5	170.8	215.3	224.1	265.7	336	55	1 300	1 700	22.5	1 710	1 130	0.24	640	1 040	1 380	1 680	1 970	794	1 590	2 380	3 200	3 950
* TAC140-3M	140	340	68	4	1.5	197.5	246.2	254.3	298.8	442	55	1 200	1 600	34.5	1 850	1 240	0.27	725	1 180	1 570	1 920	2 240	1 040	2 080	3 100	4 150	5 200
* 160TAC03DM	160	340	68	4	1.5	197.5	246.2	254.3	298.8	442	55	1 200	1 500	32.0	1 850	1 240	0.27	725	1 180	1 570	1 920	2 240	1 040	2 080	3 100	4 150	5 200
* TAC160-3M	160	380	75	4	1.5	221.1	275.6	284.9	334.9	624	55	1 000	1 400	46.8	1 940	1 310	0.30	815	1 330	1 760	2 150	2 520	1 360	2 720	4 100	5 450	6 800
* 180TAC03DM	180	380	75	4	1.5	221.1	275.6	284.9	334.9	624	55	1 000	1 400	43.7	1 940	1 310	0.30	815	1 330	1 760	2 150	2 520	1 360	2 720	4 100	5 450	6 800

Note: 1. An asterisk (*) indicates bearings that are also available equipped with screw holes for mounting bolts.
 2. Limiting speeds are based on the standard preload of each bearing. The values shown are valid for all types of bearing arrangement.
 3. Preload values for bearings with a bore diameter of 100mm or more as well as for TAC80-3 are based on EL preload.
 4. The starting torque values in the table apply to grease lubrication.
 5. To calculate permissible axial load, multiply limiting axial load by 0.7.
 6. When it is used under the condition that impact load is applied, brass cage is recommended. Please consult NSK.

Dynamic equivalent load

Angular contact thrust ball bearings for equipment such as electric injection molding machines are subjected to extremely large axial loads (F_a) in comparison to radial loads (F_r).

Therefore, the dynamic equivalent load P of the support bearing is obtained by the following formula regardless of the number of rows:
 P is 0.81 F_r + F_a

NSK Roller Guides RA Series

The RA series' roller guides feature high-load capacity and high rigidity and help to preserve the working environment. This series is the culmination of NSK's analysis technology and tribology.

Demand for preloaded rolling linear guides for high-load drive is now increasing. The RA series with high rigidity and a function for preserving a clean environment is one of the most suitable linear guides for high-load applications.

High-load capacity

The world's highest-load capacity, taking full advantage of NSK's analysis technology, ensures a long operating life.

High rigidity

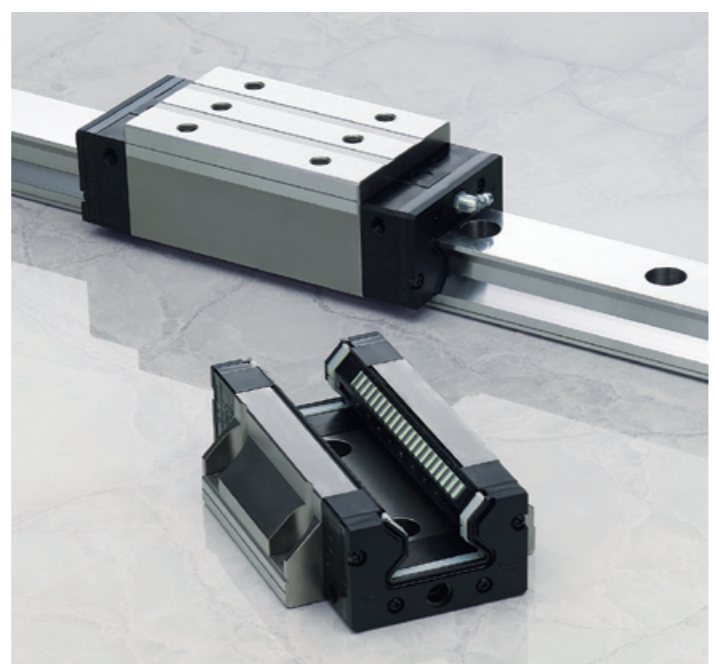
The optimum size of the roller ensures high rigidity and supports more compact machinery.

Highly dust-resistant design

The high performance seals as standard equipment completely block the entry of foreign matter and maintain primary performance over the long time.

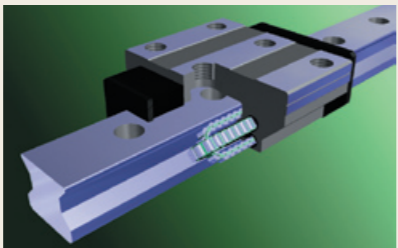
Interchangeable series

The interchangeable series of the guide rails and the roller slides are independently available in stock.

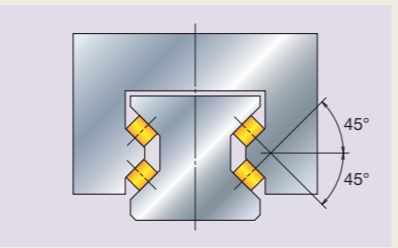


Optimal Design

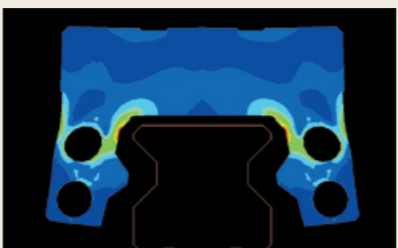
NSK executed a comprehensive, detailed performance simulation of roller guides by integrating its analysis technology and the tribology technology that the company had been developing over many years. Down to the dimensions and shapes of component details, we have attained an optimal design completely.



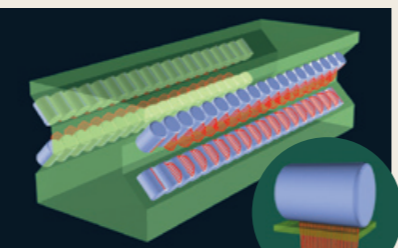
Smooth motion by use of retaining pieces



Balanced four-directional iso-load specifications



Example of roller slide deformation analysis



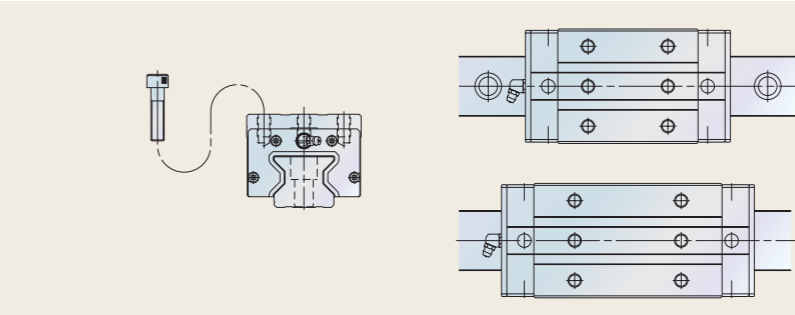
Analysis example of contact pressure distribution of rollers

Specifications

Roller Slide Types and Shapes

- Two types of roller slides are available in this series: a flange type and a square type.
- A compact, low-profile square type is now available.
- On the mounting hole of the flange type, the tapped part is used to fix the roller slide from the top surface, and the minor diameter can be used as a bolt hole from the bottom. This provides mounting from both directions, top and bottom.
- Roller slide length can be specified by the standard high-load type or special long, super-high load type.

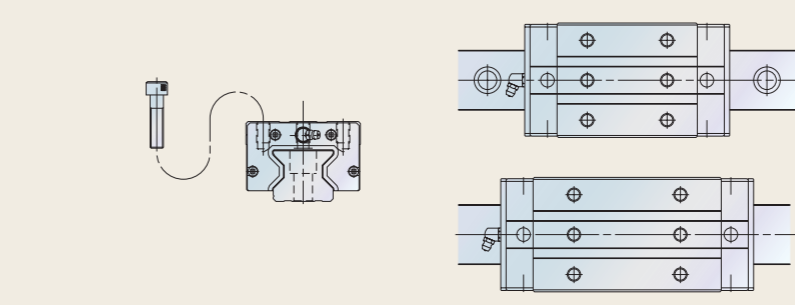
Fig. 1 Square type (RA15, 20, 25, 30, 35, 45, 55, and 65) Roller slide shape code



AN
(High load)

BN
(Super-high load)

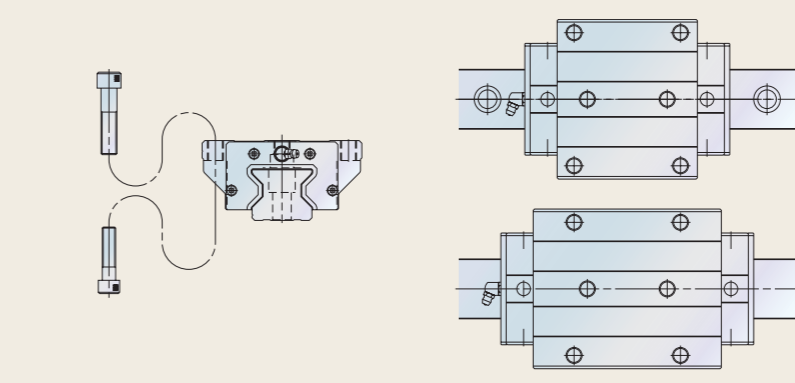
Fig. 2 Low-profile type (RA15, 25, 30, 35, 45, and 55) Roller slide shape code



AL
(High load)

BL
(Super-high load)

Fig. 3 Flange type (RA15, 20, 25, 30, 35, 45, 55, and 65) Roller slide shape code



EM
(High load)

GM
(Super-high load)

Please refer to Cat. No. E3328 for more details.

Technical Data sheet

NSK Technical Data Sheet for NSK High-Load Drive Ball Screw

Custom-made ball screw

Company name:	Date:	NSK sales office
Section:	Person in charge:	
Address:		

Name of machine*1: Electric injection molding machine; 200-ton capacity Application*2: Injection axis

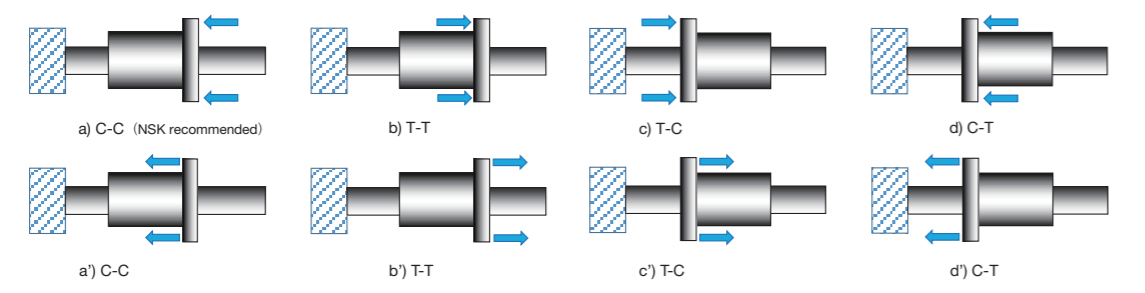
Drawing/rough sketch attached?: Yes No

*1 Please specify capacity of the machine in case of injection molding machine or press.
*2 If the application is injection molding machine, please indicate the axis. (Examples: injection axis and clamping axis)

1. Use conditions

Operating conditions	<input checked="" type="checkbox"/> Shaft rotation-Moving nut <input type="checkbox"/> Shaft rotation-Moving shaft <input type="checkbox"/> Nut rotation-Moving nut <input type="checkbox"/> Nut rotation-Moving shaft	<input checked="" type="checkbox"/> Normal operation <input type="checkbox"/> Back drive operation <input type="checkbox"/> Oscillation	Degree of vibration / impact	<input type="checkbox"/> Smooth operation without impact <input checked="" type="checkbox"/> Normal operation <input type="checkbox"/> Operation associated with impact or vibration	
Direction of load ³	<input type="checkbox"/> C-C <input checked="" type="checkbox"/> T-T <input type="checkbox"/> T-C <input type="checkbox"/> C-T <input type="checkbox"/> other (Refer to figures below.) See attachment	Mounting orientation	<input checked="" type="checkbox"/> Horizontal <input type="checkbox"/> Vertical (Indicate the direction of gravity.)		
Lubricant	<input checked="" type="checkbox"/> Grease (Brand name: <u>High-load grease with an extreme pressure additive</u>) <input type="checkbox"/> Oil (Maker:)	How to replenish lubricant	<input type="checkbox"/> Grease gun <input checked="" type="checkbox"/> Automatic (cm ³ / cycles)		
Request for oil hole	<input checked="" type="checkbox"/> NSK recommended <input type="checkbox"/> Your request				
Necessity of seals	<input checked="" type="checkbox"/> Yes <input type="checkbox"/> No	NSK S1 necessary?	<input checked="" type="checkbox"/> NSK recommended <input type="checkbox"/> Not necessary		
Environment	Temperature (<u>40</u> deg)	Particles / <input type="checkbox"/> Yes (Size of particle: a) to 0.1, b) over 0.1 to 0.3, c) over 0.3, d) Ingredient:) <input checked="" type="checkbox"/> No particle			
Surface treatment	<input checked="" type="checkbox"/> Not required <input type="checkbox"/> Low-temperature chrome plating <input type="checkbox"/> Fluoride low-temperature chrome plating <input type="checkbox"/> Other				
Quantity in mass-production	/Month	/Year	/Lot	Quantity used per machine	<u>1</u> pcs./machine

*3 Please specify loading direction code on the figures below. (Shaft fixed: , Main load: \leftarrow)



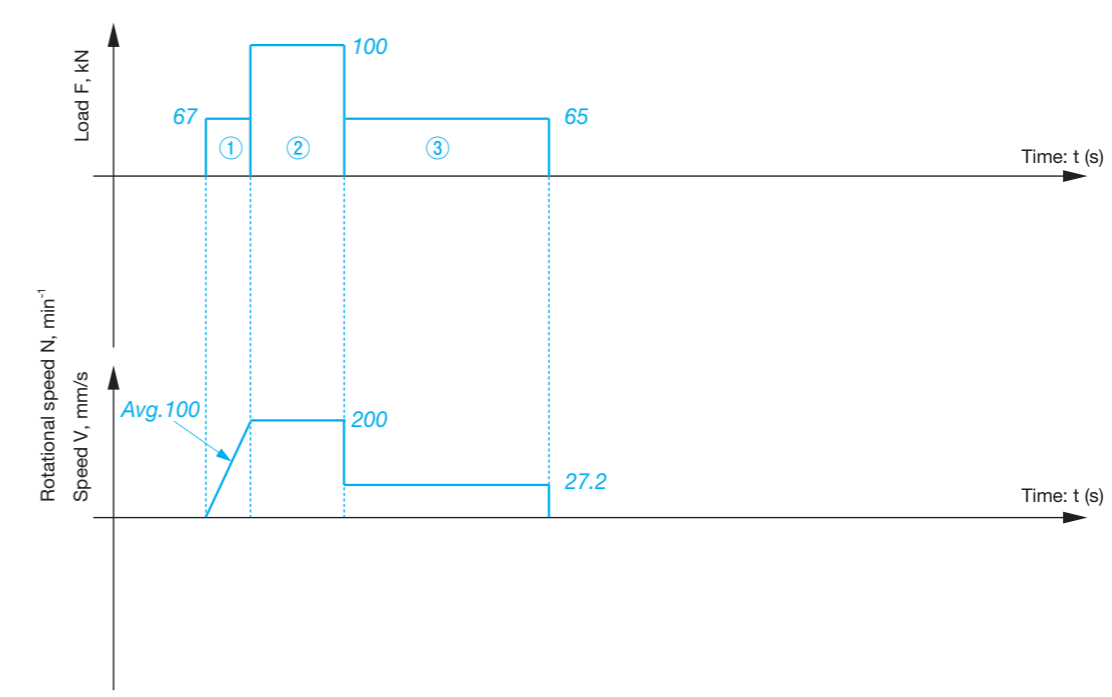
2. Specifications

Shaft diameter	ϕ <u>63</u> mm	Lead	<u>16</u> mm	Accuracy grade	<u>Ct7</u>	Axial play	<u>0.050 or less</u> mm max.
Nut model No.	<u>HTF-SRC 6316-7.5-S1</u>	Effective turns of balls	<u>2.5 x 3</u>	Direction of turn	<u>right</u>	Thread length / Overall shaft length	<u>800 / 1200</u>

Special note / Requests

NSK Technical Data Sheet for NSK High-Load Drive Ball Screw

3. Load chart (If using multiple ball screws in an axis, fill out the axial load per ball screw.)



	Axial load* F (kN)	Rotational speed or Average speed N (min ⁻¹)	V (mm/s)	Time t (s)	Stroke St (mm)	Remarks
①	67		100	0.1	10	
②	100		200	0.5	100	
③	65		27.2	7	190	
④	0		0	10.4	0	
⑤				Total: 18	Total: 300	
⑥						
⑦						
⑧						
⑨						
⑩						

Dynamic axial load (max.)*: 100 (kN) Static axial load (max.)* (at 0 mm/s): (kN)

Stroke in normal use: 300 (mm) Maximum stroke: 500 (mm)

Cycle time: 18 (s) Required life: 40000 (h or cycles)

*If using multiple ball screws in an axis, fill out the axial load per ball screw.

4. Plan to conduct the endurance test of the ball screw?

Actual data on the machine Yes

N/A Planning to check endurance (Date: From the middle of March 20XX)

No (Reason:)

Endurance of the ball screw

(1) Mounting accuracy, load conditions, and lubricating conditions are the main factors affecting the ball screw fatigue life. Therefore, we recommend evaluating the influence of those factors on actual use of your machines.

(2) A temperature rise caused by operational and environmental conditions may reduce the effectiveness of lubricant.

Technical Data sheet

NSK Technical Data Sheet for NSK High-Load Drive Ball Screw

Custom-made ball screw

Company name:	Date:	NSK sales office
Section:	Person in charge:	
Address:		

Name of machine*1: _____ Application*2: _____

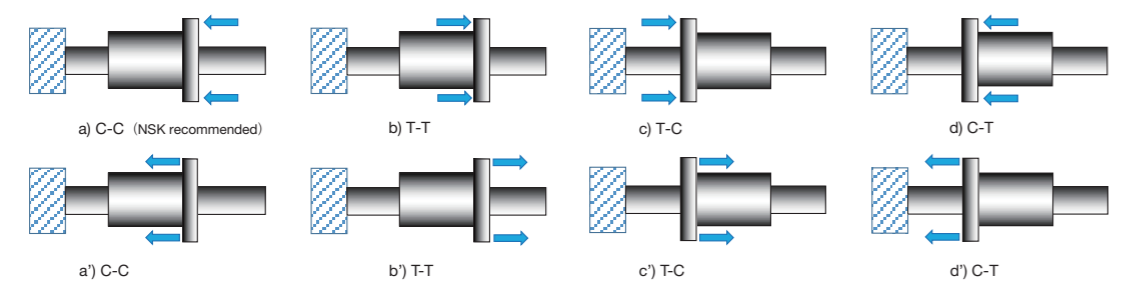
Drawing/rough sketch attached?: Yes No

*1 Please specify capacity of the machine in case of injection molding machine or press.
 *2 If the application is injection molding machine, please indicate the axis. (Examples: injection axis and clamping axis)

1. Use conditions

Operating conditions	<input type="checkbox"/> Shaft rotation-Moving nut <input type="checkbox"/> Shaft rotation-Moving shaft <input type="checkbox"/> Nut rotation-Moving nut <input type="checkbox"/> Nut rotation-Moving shaft	<input type="checkbox"/> Normal operation <input type="checkbox"/> Back drive operation <input type="checkbox"/> Oscillation	Degree of vibration / impact	<input type="checkbox"/> Smooth operation without impact <input type="checkbox"/> Normal operation <input type="checkbox"/> Operation associated with impact or vibration
Direction of load ³	<input type="checkbox"/> C-C <input type="checkbox"/> T-T <input type="checkbox"/> T-C <input type="checkbox"/> C-T <input type="checkbox"/> other (Refer to figures below.)		Mounting orientation	<input type="checkbox"/> Horizontal <input type="checkbox"/> Vertical (Indicate the direction of gravity.)
Lubricant	<input type="checkbox"/> Grease (Brand name: _____) <input type="checkbox"/> Oil (Maker: _____)		How to replenish lubricant	<input type="checkbox"/> Grease gun <input type="checkbox"/> Automatic (_____ cm ³ / _____ cycles)
Request for oil hole	<input type="checkbox"/> NSK recommended <input type="checkbox"/> Your request			
Necessity of seals	<input type="checkbox"/> Yes <input type="checkbox"/> No		NSK S1 necessary?	<input type="checkbox"/> NSK recommended <input type="checkbox"/> Not necessary
Environment	Temperature (deg)	Particles / <input type="checkbox"/> Yes (Size of particle: a) to 0.1, b) over 0.1 to 0.3, c) over 0.3, d) Ingredient: _____) <input type="checkbox"/> No particle		
Surface treatment	<input type="checkbox"/> Not required <input type="checkbox"/> Low-temperature chrome plating <input type="checkbox"/> Fluoride low-temperature chrome plating <input type="checkbox"/> Other			
Quantity in mass-production	/Month	/Year	/Lot	Quantity used per machine _____ pcs./machine

*3 Please specify loading direction code on the figures below. (Shaft fixed: Main load:)



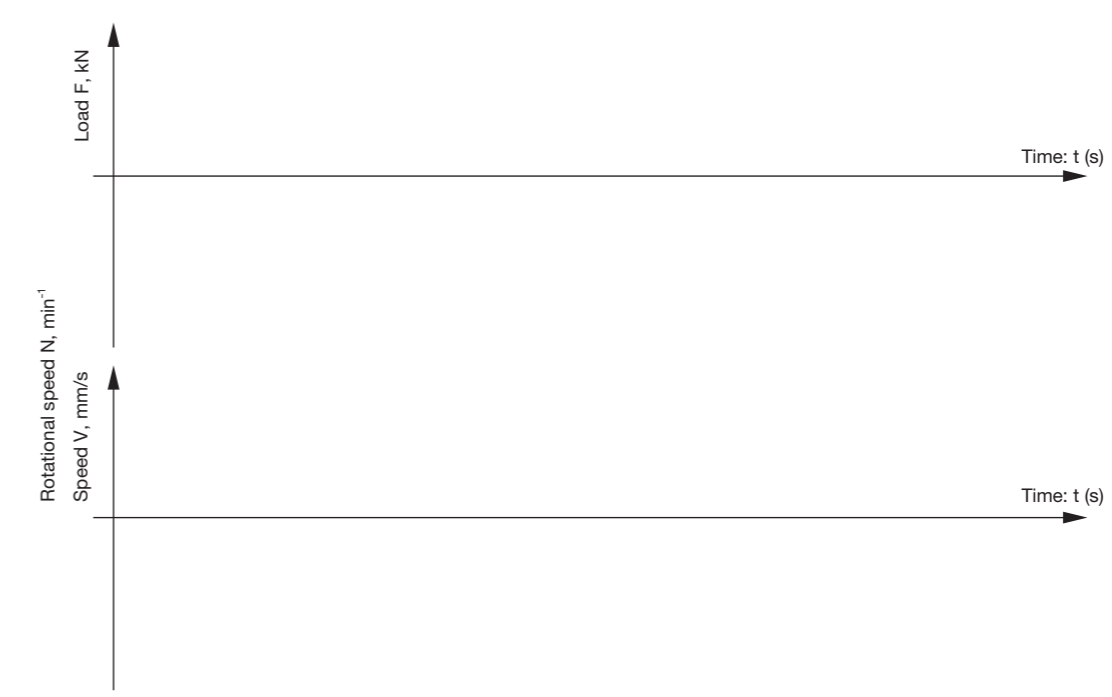
2. Specifications

Shaft diameter	φ mm	Lead	mm	Accuracy grade		Axial play	mm max.
Nut model No.		Effective turns of balls		Direction of turn		Thread length / Overall shaft length	/

Special note / Requests

NSK Technical Data Sheet for NSK High-Load Drive Ball Screw

3. Load chart (If using multiple ball screws in an axis, fill out the axial load per ball screw.)



	Axial load* F (kN)	Rotational speed or Average speed N (min ⁻¹)	V (mm/s)	Time t (s)	Stroke St (mm)	Remarks
①						
②						
③						
④						
⑤						
⑥						
⑦						
⑧						
⑨						
⑩						

Dynamic axial load (max.)*: _____ (kN) Static axial load (max.)* (at 0 mm/s): _____ (kN)
 Stroke in normal use: _____ (mm) Maximum stroke: _____ (mm)
 Cycle time: _____ (s) Required life: _____ (h or cycles)

*If using multiple ball screws in an axis, fill out the axial load per ball screw.

4. Plan to conduct the endurance test of the ball screw?

Actual data on the machine Yes
 N/A → Planning to check endurance (Date: _____)
 No (Reason: _____)

Endurance of the ball screw

(1) Mounting accuracy, load conditions, and lubricating conditions are the main factors affecting the ball screw fatigue life. Therefore, we recommend evaluating the influence of those factors on actual use of your machines.

(2) A temperature rise caused by operational and environmental conditions may reduce the effectiveness of lubricant.

Worldwide Sales Offices

P: Phone ☆: Head Office

NSK LTD. HEADQUARTERS, TOKYO JAPAN

INDUSTRIAL MACHINERY BUSINESS DIVISION-HEADQUARTERS P: +81-3-3779-7227
 AUTOMOTIVE BUSINESS DIVISION-HEADQUARTERS P: +81-3-3779-7189

Africa

South Africa:

NSK SOUTH AFRICA (PTY) LTD.

SANDTON P: +27-11-458-3600

Aisia and Oceania

Australia:

NSK AUSTRALIA PTY. LTD.

MELBOURNE ☆ P: +61-3-9765-4400
 SYDNEY P: +61-2-9839-2300
 BRISBANE P: +61-7-3347-2600
 PERTH P: +61-8-9256-5000

New Zealand:

NSK NEW ZEALAND LTD.

AUCKLAND P: +64-9-276-4992

China:

NSK (SHANGHAI) TRADING CO., LTD.

JIANGSU ☆ P: +86-512-5796-3000

NSK (CHINA) INVESTMENT CO., LTD.

JIANGSU P: +86-512-5796-3000
 BEIJING P: +86-10-6590-8161
 TIAN JIN P: +86-22-8319-5030
 CHANGCHUN P: +86-431-8898-8682
 SHENYANG P: +86-24-2334-2868
 DALIAN P: +86-411-8800-8168
 NANJING P: +86-25-8472-6671
 FUZHOU P: +86-591-8380-1030
 WUHAN P: +86-27-8556-9630
 QINGDAO P: +86-532-5568-3877
 GUANGZHOU P: +86-20-3817-7800
 CHANGSHA P: +86-731-8571-3100
 LUOYANG P: +86-379-6069-6188
 XI'AN P: +86-29-8765-1896
 CHONGQING P: +86-23-6806-5310
 CHENGDU P: +86-28-8528-3680

NSK CHINA SALES CO., LTD.

JIANGSU P: +86-512-5796-3000

NSK HONG KONG LTD.

HONG KONG ☆ P: +852-2739-9933
 SHENZHEN P: +86-755-25904886

Taiwan:

TAIWAN NSK PRECISION CO., LTD.

TAIPEI ☆ P: +886-2-2509-3305
 TAICHUNG P: +886-4-2708-3393
 TAINAN P: +886-6-505-5861

TAIWAN NSK TECHNOLOGY CO., LTD.

TAIPEI ☆ P: +886-2-2509-3305
 TAICHUNG P: +886-4-2358-2945
 TAINAN P: +886-6-505-5861

India:

NSK INDIA SALES CO.PVT.LTD.

CHENNAI ☆ P: +91-44-2847-9600
 DELHI P: +91-124-4838000

MUMBAI P: +91-22-2838-7787

Indonesia:

PT. NSK INDONESIA

JAKARTA P: +62-21-252-3458

Korea:

NSK KOREA CO., LTD.

SEOUL P: +82-2-3287-0300

Malaysia:

NSK BEARINGS (MALAYSIA) SDN.BHD.

SHAH ALAM ☆ P: +60-3-7803-8859
 PRAI P: +60-4-3902275
 JOHOR BAHRU P: +60-7-3546290
 IPOH P: +60-5-2555000

Philippines:

NSK REPRESENTATIVE OFFICE

MANILA P: +63-2-893-9543

Singapore:

NSK INTERNATIONAL (SINGAPORE) PTE LTD.

SINGAPORE P: +65-6496-8000

NSK SINGAPORE (PRIVATE) LTD.

SINGAPORE P: +65-6496-8000

Thailand:

NSK BEARINGS (THAILAND) CO., LTD.

BANGKOK P: +66-2320-2555

Vietnam:

NSK VIETNAM CO., LTD.

HANOI P: +84-24-3955-0159

NSK REPRESENTATIVE OFFICE

HO CHI MINH CITY P: +84-28-3822-7907

Europe

United Kingdom:

NSK EUROPE LTD. (EUROPEAN HEADQUARTERS)

MAIDENHEAD P: +44-1628-509-800

NSK UK LTD.

NEWARK P: +44-1636-605-123

France:

NSK FRANCE S.A.S.

PARIS P: +33-1-30-57-39-39

Germany:

NSK DEUTSCHLAND GMBH

DUSSELDORF ☆ P: +49-2102-4810
 STUTTGART P: +49-711-79082-0
 WOLFSBURG P: +49-5361-27647-10

Italy:

NSK ITALIA S.P.A.

MILANO P: +39-299-5191

Netherlands:

NSK EUROPEAN DISTRIBUTION CENTRE B.V.

TILBURG P: +31-13-4647647

Poland:

NSK REPRESENTATIVE OFFICE

WARSAW P: +48-22-645-1525

Russia:

NSK POLSKA SP. Z O.O.

SAINT-PETERSBURG P: +7-812-332-5071

Spain:

NSK SPAIN S.A.

BARCELONA P: +34-93-289-2763

Turkey:

NSK RULMANLARI ORTA DOGU TIC. LTD. STI.

ISTANBUL P: +90-216-477-7111

United Arab Emirates:

NSK BEARINGS GULF TRADING CO.

DUBAI P: +971-4-804-8207

North and South America

United States of America:

NSK AMERICAS, INC. (AMERICAN HEADQUARTERS)

ANN ARBOR P: +1-734-913-7500

NSK CORPORATION

ANN ARBOR P: +1-734-913-7500

NSK PRECISION AMERICA, INC.

FRANKLIN ☆ P: +1-317-738-5000

SAN JOSE

P: +1-408-944-9400

NSK LATIN AMERICA, INC.

MIAMI P: +1-305-477-0605

Canada:

NSK CANADA INC.

TORONTO ☆ P: +1-905-890-0740

MONTREAL

P: +1-514-633-1220

VANCOUVER

P: +1-877-994-6675

Argentina:

NSK ARGENTINA SRL

BUENOS AIRES P: +54-11-4704-5100

Brazil:

NSK BRASIL LTDA.

SAO PAULO ☆ P: +55-11-3269-4700

BELO HORIZONTE

P: +55-31-3274-2591

JOINVILLE

P: +55-47-3422-2239

PORTO ALEGRE

P: +55-51-3346-7851

RECIFE

P: +55-81-3326-3781

Peru:

NSK PERU S.A.C.

LIMA P: +51-1-493-4385

Mexico:

NSK RODAMIENTOS MEXICANA, S.A. DE C.V.

MEXICO CITY ☆ P: +52-55-3682-2900

MONTERREY

P: +52-81-8000-7300

<As of July 2017>

For the latest information, please refer to the NSK website.

www.nsk.com

NSK Ltd. has a basic policy not to export any products or technology designated as controlled items by export-related laws. When exporting the products in this brochure, the laws of the exporting country must be observed. Specifications are subject to change without notice and without any obligation on the part of the manufacturer. Every care has been taken to ensure the accuracy of the data contained in this brochure, but no liability can be accepted for any loss or damage suffered through errors or omissions. We will gratefully acknowledge any additions or corrections.

For more information about NSK products, please contact: _____

